

## VELOCITY Flood Light



### FEATURES

- UL1598A for Maritime Applications
- Durable die-cast aluminum housing
- Gray finish
- Narrow and Medium lighting distributions
- Yoke Mount standard, optional Slipfitter
- IP66 and IK10 rated
- Anti-corrosive finish to withstand harsh environments
- Driver can be Attached or Remote Mounted
- Limited Lifetime Warranty

### APPLICATIONS

- Area Lighting
- Wall Washing
- Signage
- Recreational

### CONSTRUCTION

With Die-Cast Aluminum Housing, Anti-Corrosive Treatment, and Heavy-Duty Acrylic Lens the Velocity Flood Light is built to withstand the toughest environments and provide crisp, clear lighting. The fixture is tightly sealed for resiliency and to prevent ingress. Industry-leading impact resistant construction keeps the fixture housing free from damage in tough, physical settings, while finned heatsinks provide optimal heat management to increase luminaire life. With various beam angles to choose from, these luminaires are ideal for a number of applications.

### WARRANTY

- Limited Lifetime Warranty standard

For more information regarding the limited lifetime warranty please contact the factory at (844) 202-5606 or email Customer Service at [LEDCustService@dascom.com](mailto:LEDCustService@dascom.com).



### ORDERING GUIDE

SERIES	WATTAGE	BEAM ANGLE	CRI	CCT	FINISH	VOLTAGE	OPTIONS	
FL-7	200	N	7	30	GRY	U	SPF	
	200W	15 DEGREE		3000K		100-277V		2-3/8" SLIPFITTER
	400	M		40		H		LAS
	400W	55 DEGREE	4000K	347-480V	PINPOINT LASER			
	500	W	50					
	500W	85 DEGREE	5000K					

## VELOCITY Flood Light

### SPECIFICATIONS

LED SPECIFICATION			3000K		4000K		5000K		EPA* (ft²)	BUG	WEIGHT (lbs.)	CERTIFICATION
MODEL	WATTS	OPTIC	LUMENS	EFFICACY	LUMENS	EFFICACY	LUMENS	EFFICACY				
FL-7200	200	N	22,100	111 lm/W	22,600	113 lm/W	23,000	115 lm/W	1.42	B2-U2-G0	26.89	ETL
		M	23,300	117 lm/W	23,800	119 lm/W	24,200	121 lm/W				
		W	22,500	113 lm/W	23,000	115 lm/W	23,400	117 lm/W				
FL-7400	400	N	44,200	111 lm/W	45,200	113 lm/W	46,000	115 lm/W	2.57	B3-U2-G0	51.36	ETL
		M	48,200	121 lm/W	49,200	123 lm/W	50,000	125 lm/W				
		W	45,800	115 lm/W	46,800	117 lm/W	47,600	119 lm/W				
FL-7500	500	N	53,750	108 lm/W	55,000	110 lm/W	56,000	112 lm/W	2.57	B4-U3-G0	51.36	ETL
		M	56,750	114 lm/W	58,000	116 lm/W	59,000	118 lm/W				
		W	57,250	115 lm/W	58,500	117 lm/W	59,500	119 lm/W				

\* EPA Ratings listed assume fixture is mounted horizontally. EPA rating will vary based on mounting angle.

SPECIFICATION	VALUE	
PERFORMANCE	Power Consumption (W)	200 / 400 / 500
	Lumens Delivered (lm)	22,100 - 59,500
	Efficacy (lm/W)	108 - 125
	CRI	≥70
	Color Temperature (K)	3000 / 4000 / 5000
	L70 Lumen Maintenance (hr)	70,000
ELECTRICAL	Power Factor	> 0.96
	Input Voltage	100-277V / 347-480V ~ 50/60 Hz
	Dimming	Non-dimmable
	THD	< 0.2
	Dusk-to-Dawn Sensor	No
OPTICS	Beam Angle (°)	15 / 55 / 85
	Glare Shield	No
INSTALLATION	Standard Mount	Aluminum Yoke Mount
	Optional Mount	Slipfitter
	Anti-Vibration Mount	No
	Tilt	150°+ Vertically
CERTIFICATION	Certifications	ETL / UL 1598A
	IP	66
	IK	10
	Environment	Outdoor / Wet
	Ambient Operating Temperature	-20°C ~ +40°C / -4°F ~ +104°F
Warranty	Limited Lifetime Warranty	

## VELOCITY Flood Light

### OPTIONS

#### SPF - SLIPFITTER

Aluminum slipfitter mount for pole and bullhorn installations.



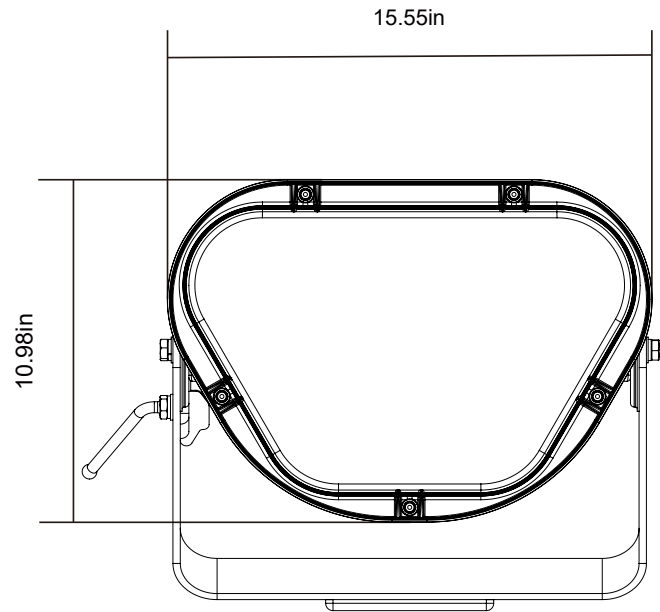
#### LAS - PINPOINT LASER

Laser sight to ensure pinpoint precision of lighting direction.

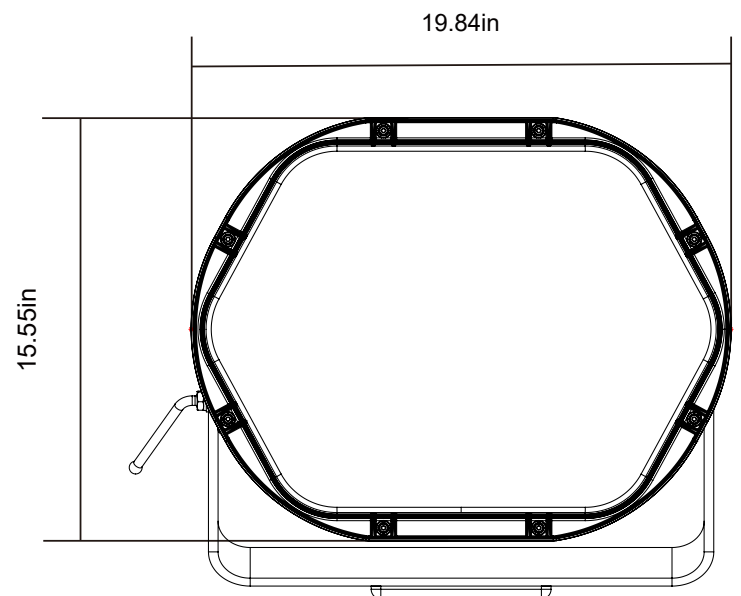


### DIMENSIONAL DRAWINGS

#### FL-7200



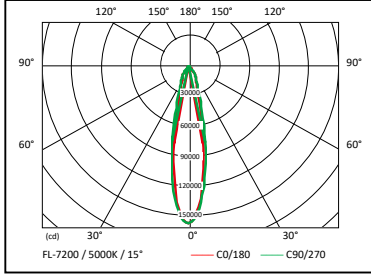
#### FL-7400 & FL-7500



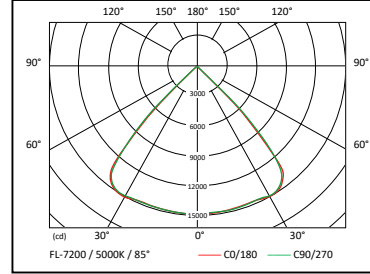
## VELOCITY Flood Light

### PHOTOMETRICS

#### FL-7200

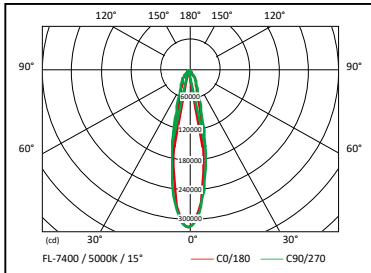


H (m)	E (lx)	D (cm)
3	16020	90
6	4005	180
9	1780	270
12	1001	359
15	641	449

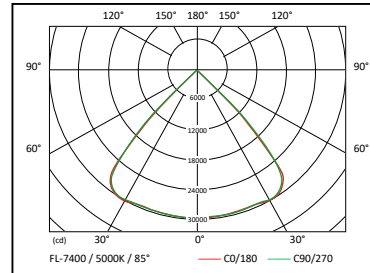


H (m)	E (lx)	D (cm)
3	1382	479
6	346	959
9	154	1438
12	86	1918
15	55	2397

#### FL-7400

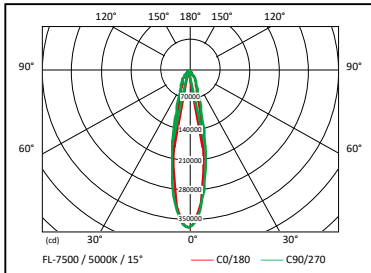


H (m)	E (lx)	D (cm)
3	29544	93
6	7386	186
9	3283	278
12	1846	371
15	1182	464

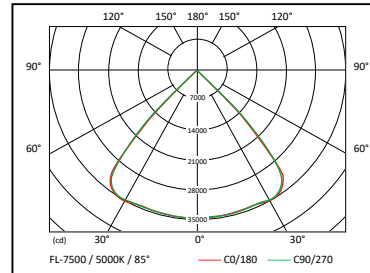


H (m)	E (lx)	D (cm)
3	2807	412
6	702	825
9	312	1237
12	175	1649
15	112	2062

#### FL-7500



H (m)	E (lx)	D (cm)
3	35881	93
6	8970	186
9	3987	279
12	2243	372
15	1435	465



H (m)	E (lx)	D (cm)
3	3476	409
6	869	819
9	386	1228
12	217	1637
15	139	2047