

Solar NEO Flood Light



FEATURES

- Single or Double Flood Light Solar Assembly
- Dark Gray finish
- Wide lighting distribution
- Solar Panel Remote Mounted up to Thirty (30) feet
- Charge Duration Six (6) Hours
- Nineteen (19) Hour Output Duration
- Various Solar Panel Mounting Options

APPLICATIONS

- Signage
- Wall Washing
- Security

CONSTRUCTION

The Solar Neo Flood Light is made with an Aluminum Alloy housing with a Dark Gray finish. Paired with a Ternary Lithium Battery and remote Solar Panel, this assembly is perfect for all your solar flood lighting needs.

WARRANTY

- Limited Three (3) and Five (5) Year Warranty standard

Three year warranty on the Battery

Five year warranty on the Lighting Unit

For more information regarding the limited warranty please contact the factory at (844) 202-5606 or email Customer Service at LEDCustService@dascom.com.

ORDERING GUIDE

SERIES	WATTAGE	BEAM ANGLE	CRI	CCT	FINISH	VOLTAGE	ASSEMBLY ¹	FLOOD MOUNT	PANEL MOUNT
SFL-5	040 40W 060 60W	W 100 DEGREE	8 ≥80	40 4000K 50 5000K	DG DARK GRAY	L 12-24V	M1 SINGLE ASSEMBLY M2 DOUBLE ASSEMBLY	- TRUNNION MOUNT SPF 2-3/8" SLIPFITTER GS GROUND STAKE	SPM PANEL MOUNT BRACKET TPM TOP OF POLE MOUNT PSM SIDE OF POLE MOUNT WAPM WALL ARM PANEL MOUNT

¹ "M2" option only available for 40W model.

Solar NEO Flood Light

SPECIFICATIONS

LED SPECIFICATION			4000K		5000K		FITTURE EPA* (ft²)	SOLAR PANEL EPA* (ft²)	BUG	FITTURE WEIGHT (lbs.)	SOLAR PANEL WEIGHT (lbs.)
MODEL	WATTS	OPTIC	LUMENS	EFFICACY	LUMENS	EFFICACY					
SFL-5040	40	W	5,440	136 lm/W	5,680	142 lm/W	0.87	8.41	B2-U1-G0	7.0	16.25
SFL-5060	60	W	8,160	136 lm/W	8,460	141 lm/W	0.87	12.89	B3-U1-G0	7.0	23.05

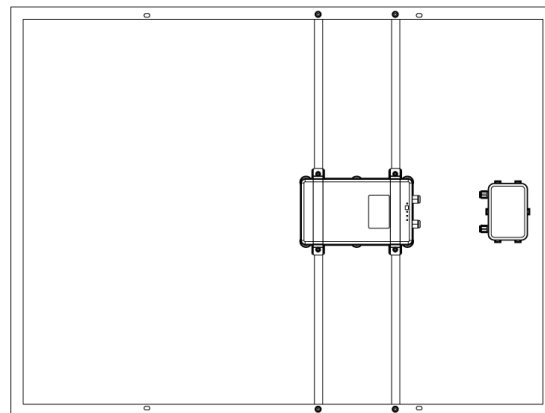
* EPA Ratings listed assume fixture is mounted horizontally. EPA rating will vary based on mounting angle.

BATTERY SPECIFICATION	SFL-5040-M1	SFL-5040-M2	SFL-5060-M1
BATTERY TYPE	Ternary Lithium		
NOMINAL CAPACITY (AH)	24	40	40
BATTERY LIFE	Three (3) Years		
CYCLE LIFE	> 80% @ 25°C @ 1000		
NOMINAL VOLTAGE (V)	12.8	12.8	12.8
STANDARD DISCHARGE CURRENT (A)	3.2	5.0	5.0
DISCHARGE CUT-OFF VOLTAGE (V)	10.5	8.3	8.3
MAX CHARGE VOLTAGE (V)	14.4	14.6	14.6
OVERCHARGE DETECTION VOLTAGE (V)	3.65	4.1	4.1
OVERDISCHARGE DETECTION VOLTAGE (V)	2.1	2.7	2.7
OVERDISCHARGE DETECTION CURRENT (A)	5-10	12-20	12-20

PANEL SPECIFICATION	SFL-5040-M1	SFL-5040-M2	SFL-5060-M1
SOLAR PANEL RATED POWER (W)	110	175	175
NUMBER OF SOLAR PANELS	1	1	1
MAXIMUM POWER VOLTAGE (V _{mp} V)	21.6	18.0	18.0
MAXIMUM POWER CURRENT (I _{mp} I)	6.1	9.2	9.2
SHORT-CIRCUIT CURRENT (V _{oc})	21.6	22.9	22.9
SHORT-CIRCUIT CURRENT (I _{sc})	6.7	9.6	9.6
SYSTEM VOLTAGE (V)	1000	1000	1000
TOLERANCE	110-105	175-180	175-180
NUMBER OF SOLAR CELLS	36	36	36
DIMENSIONS (INCHES)	47.1 x 21.4 x 1.2	58.1 x 26.6 x 1.2	58.1 x 26.6 x 1.2

SPECIFICATION	VALUE	
PERFORMANCE	Power Consumption (W)	40 / 60
	Lumens Delivered (lm)	5,440 - 8,460
	Efficacy (lm/W)	136 - 142
	CRI	≥80
	Color Temperature (K)	4000 / 5000
	Full Charge Duration (hr)	6
OPTICS	Lighting Output Duration (hr)	19
	Input Voltage	12-24V
	Dimming	Non-dimmable
	Photocell Sensor	Yes, integrated in Solar Panel
OPTICS	Motion Sensor	No
	Beam Angle	100
INSTALLATION	Glare Shield	No
	Standard Mount	Aluminum Yoke Mount
	Optional Mount	Ground Stake Mount, Slipfitter Various Solar Panel Mounts
CERTIFICATIONS	Tilt	180°+ Vertically
	IP	65
	Environment	Outdoor / Wet
	Charging Operating Temp.	0°C ~ +45°C / 32°F ~ +113°F
	Discharging Operating Temp.	-20°C ~ +60°C / -4°F ~ +140°F
Warranty	Battery: 3 year Lighting Unit: 5 year	

BATTERY LOCATION (BACKSIDE OF PANEL)



Solar NEO Flood Light

FLOOD LIGHT MOUNTING

SPF - 2-3/8" SLIPFITTER ADAPTER

Slipfitter adapter helps mount flood light to a broad range of poles and tenons.



GS - GROUND STAKE

A pair of 6" Ground Stake Spikes help securely mount the Flood Light in soft surfaces.



SOLAR PANEL MOUNTING

SPM - PANEL MOUNT BRACKET

TPM - TOP OF POLE MOUNT

Two options for mounting the solar panel. The SPM is only the solar panel cradle shown below. The TPM is the SPM with an additional arm piece for mounting the assembly on a pole. Both mounting pieces slip over any 2-3/8" or less tenon.



PSM - SIDE OF POLE MOUNTING BRACKET

One-piece mounting bracket clamps around any aluminum or steel pole. Additional pole arm required for a complete solution.



WAPM - WALL ARM PANEL MOUNTING BRACKET

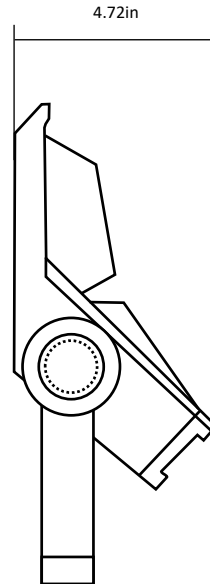
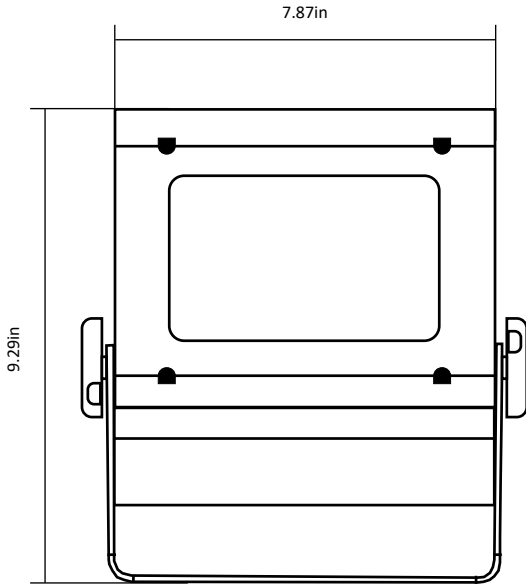
Wall arm mounting with integrated panel mounting for complete installation.



Solar NEO Flood Light

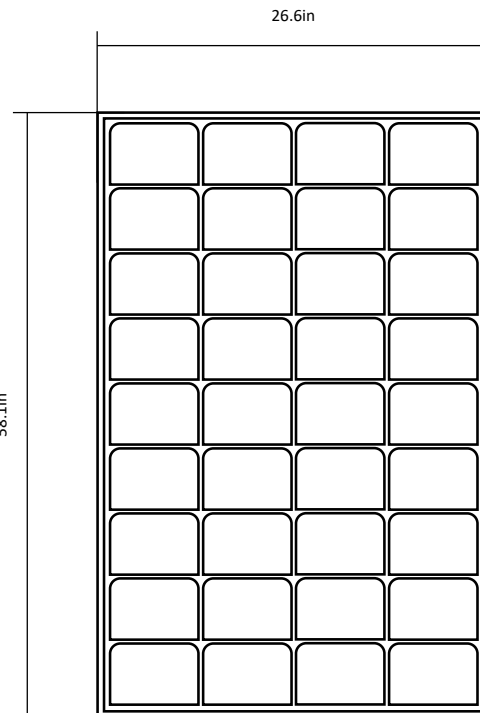
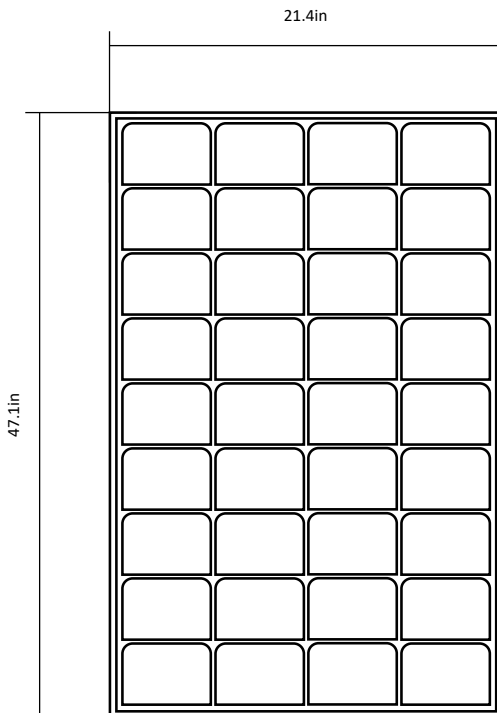
DIMENSIONAL DRAWINGS

SFL-5040 & SFL-5060



110W SOLAR PANEL

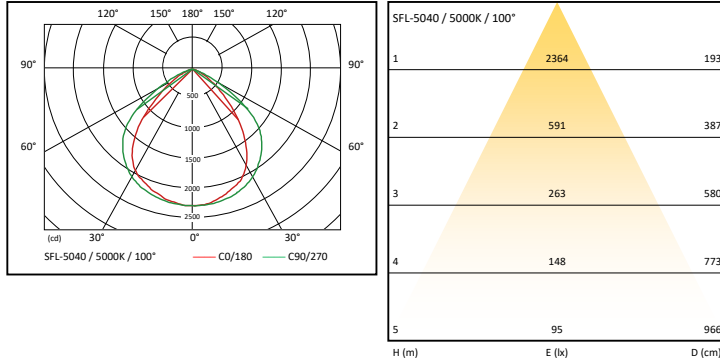
175W SOLAR PANEL



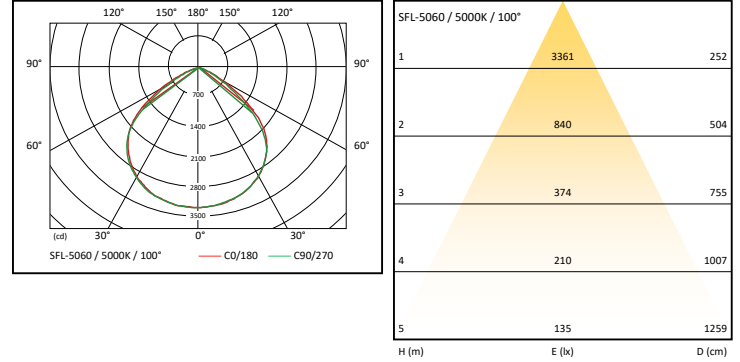
Solar NEO Flood Light

PHOTOMETRICS

SFL-5040



SFL-5060



DISCHARGE DIAGRAM

The luminance of the Solar Neo Flood Light is on a set down dimming function. When the sensor in the solar panel senses dusk, the luminaire switches on at 100% output.

After two hours the output drops to 70%.

After another two hours the output drops down to 50%.

After just one more hour, the output stays at 20% until dawn.

This setting allows extended light output while requiring a lower charge duration. Please contact the factory for jobs where this settings needs modification. Step-down dimming function is not field adjustable.

