

PERMASTAR Flood Light



FEATURES

- Durable die-cast aluminum housing
- Black housing finish
- Narrow and Medium lighting distributions
- Marine Listed UL1598A
- IP66 and IK10 rated
- Anti-corrosive finish to withstand harsh environments
- Limited Lifetime Warranty

APPLICATIONS

- Area Lighting
- Wall Washing
- Signage
- Recreational

CONSTRUCTION

The body of the PermaStar Flood Light series is made of aluminum with an anti-corrosive coating to protect it in a variety of outdoor environments. The polyacrylate optical plate has high-impact resistance, and the luminaire is sealed with resilient gasketing to prevent ingress. The heavy-duty construction, with impact resistance IK10, allows it to go into tough applications.

WARRANTY

- Limited Lifetime Warranty standard

For more information regarding the limited lifetime warranty please contact the factory at (844) 202-5606 or email Customer Service at LEDCustService@dascom.com.



ORDERING GUIDE

SERIES	WATTAGE	BEAM ANGLE	CRI	CCT	FINISH	VOLTAGE	OPTIONS
FL-6	500D 500W	N 22 DEGREE M 45 DEGREE W 70 DEGREE	8 ≥80	50 5000K	BLK BLACK	U 100-277V H 200-480V	SHD GLARE SHIELD SPF SLIPFITTER

PERMASTAR Flood Light

SPECIFICATIONS

LED SPECIFICATION			3000K		4000K		5000K		EPA*	BUG	WEIGHT (lbs.)	CERTIFICATION
MODEL	WATTS	OPTIC	LUMENS	EFFICACY	LUMENS	EFFICACY	LUMENS	EFFICACY				
FL-6500D	486	N	69,000	141 lm/W	71,000	146 lm/W	71,500	147 lm/W	2.32 ft²	B5-U0-G1	34.84	ETL, CE
		M	70,100	144 lm/W	72,100	148 lm/W	72,500	149 lm/W				
		W	83,200	171 lm/W	85,500	175 lm/W	86,500	177 lm/W				

* EPA Ratings listed assume fixture is mounted horizontally. EPA rating will vary based on mounting angle.

SPECIFICATION		VALUE
PERFORMANCE	Power Consumption (W)	486
	Lumens Delivered (lm)	59,500 - 67,000
	Efficacy (lm/W)	122 - 138
	CRI	≥80
	Color Temperature (K)	5000
	L70 Lumen Maintenance (hr)	50,000
ELECTRICAL	Power Factor	> 0.9
	Input Voltage	100-277V / 347-480V ~ 50/60 Hz
	Dimming	0-10V
	THD	< 0.2
	Dusk-to-Dawn Sensor	No
OPTICS	Beam Angle (°)	22 / 45 / 70
	Glare Shield	Yes
INSTALLATION	Standard Mount	Aluminum Yoke Mount
	Optional Mount	Slipfitter
	Anti-Vibration Mount	No
	Tilt	160°+ Vertically
CERTIFICATION	Certifications	ETL: UL1598, UL1598A, CE
	IP	66
	IK	10
	Environment	Outdoor / Wet
	Ambient Operating Temperature	-40°C ~ +40°C / -40°F ~ +104°F
	Warranty	Limited Lifetime Warranty

PERMASTAR Flood Light

MOUNTING OPTIONS and ACCESSORIES

SHD - GLARE SHADE

Aluminum shade mounts on the frame of the fixture to help direct light and eliminate glare.

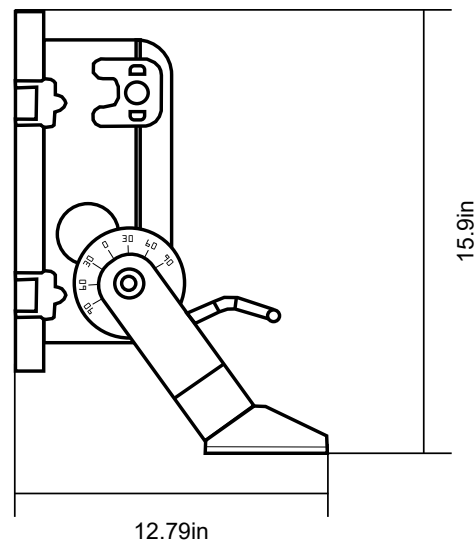
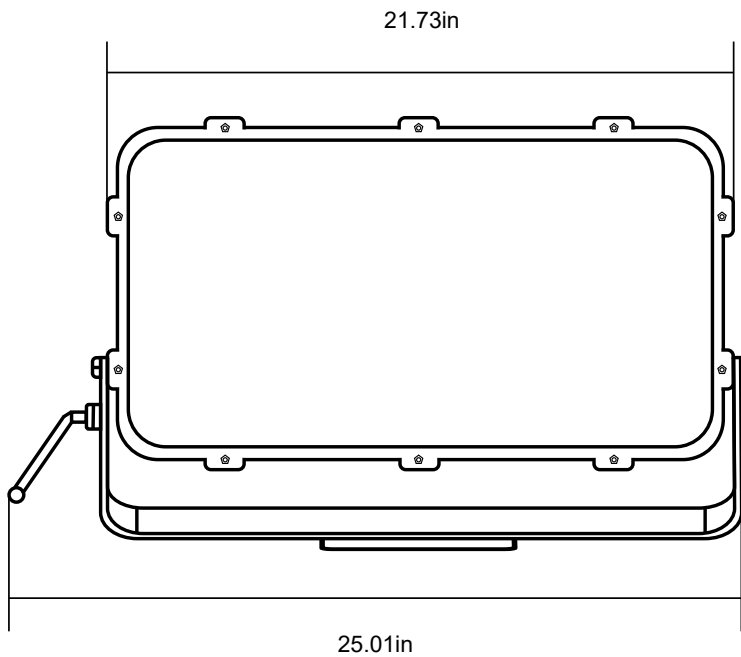


SPF - SLIPFITTER

Aluminum slipfitter mount for pole and bullhorn installations.

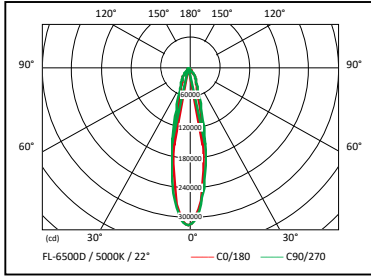


DIMENSIONAL DRAWINGS

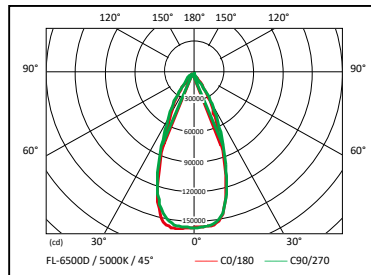


PERMASTAR Flood Light

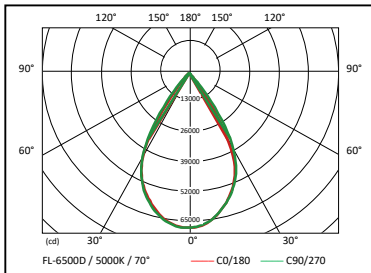
PHOTOMETRICS



FL-6500D / 5000K / 22°		
3	30246	113
6	7562	226
9	3361	339
12	1890	452
15	1210	565
H (m)	E (lx)	D (cm)



FL-6500D / 5000K / 45°		
3	12775	241
6	3194	482
9	1419	722
12	798	963
15	511	1204
H (m)	E (lx)	D (cm)



FL-6500D / 5000K / 70°		
3	7111	358
6	1778	716
9	1243	1075
12	444	1433
15	284	1791
H (m)	E (lx)	D (cm)