

LUMAWEDGE High Bay



FEATURES

- Maximum Temperature Rating up to +71°C/160°F
- RGWB output optional
- Durable die-cast aluminum housing
- Black or White finishes
- Medium lighting distribution
- Each wedge is adjustable to ensure total lighting coverage
- Several mounting options to fit all applications
- NSF Certified Option for Food Processing Applications
- 0-10V Dimmable standard
- IP65 rated
- 5 Year Warranty

APPLICATIONS

- Gymnasium
- Warehouse
- Factory
- Showroom
- Recreational

CONSTRUCTION

Durable die-cast aluminum housing with Polycarbonate optic plates. The unique modular design with thin body and finned heat sinks allows for rapid heat dissipation prolonging the life of the fixture.

WARRANTY

- Limited Five (5) Year Warranty standard

For more information regarding the limited five (5) year warranty please contact the factory at (844) 202-5606 or email Customer Service at LEDCustService@dascom.com.



ORDERING GUIDE

SERIES	WATTAGE	BEAM ANGLE ¹	CRI	CCT	FINISH	VOLTAGE	NSF	OPTIONS
HB-6	090	W 80 DEGREE	8 ≥80	30	BLK BLACK WHT WHITE	U 100-277V H 347-480V	NSF ² YES - NO	MS
	135			40				EY ³
	180			50				3Q
	260							UB
								RGBW ⁴

¹ Beam Angle listed is when all wedges are adjusted flat.

² NSF Certified Model only available for 135W, 180W, and 260W models in "U" Voltage and "EY" Mount Variation.

³ Eye-Hook Loop Mount is standard on all LumaWedge models

⁴ RGBW output available for all or individual wedges per unit. Contact SONARAY for customizable options.

LUMAWEDGE High Bay

SPECIFICATIONS

LED SPECIFICATION			3000K		4000K		5000K		WEIGHT (lbs.)	CERTIFICATION
MODEL	WATTS	OPTIC	LUMENS	EFFICACY	LUMENS	EFFICACY	LUMENS	EFFICACY		
HB-6090	88	W	13,545	154 lm/W	13,825	157 lm/W	14,400	164 lm/W	5.29	DLC, ETL
HB-6135	133	W	20,430	154 lm/W	20,865	157 lm/W	21,735	163 lm/W	6.61	DLC, ETL, NSF
HB-6180	176	W	27,075	154 lm/W	27,650	157 lm/W	28,800	163 lm/W	7.49	DLC, ETL, NSF
HB-6260	254	W	38,860	153 lm/W	39,685	156 lm/W	41,340	164 lm/W	9.92	DLC, ETL, NSF

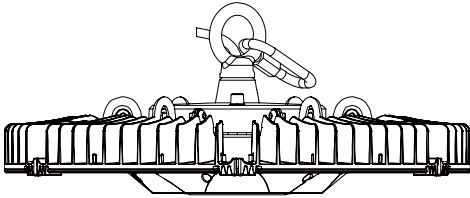
SPECIFICATION		VALUE
PERFORMANCE	Power Consumption (W)	88 / 133 / 176 / 254
	Lumens Delivered (lm)	13,545 - 41,340
	Efficacy (lm/W)	153 - 164
	CRI	≥80
	Color Temperature (K)	3000 / 4000 / 5000
	L70 Lumen Maintenance (hr)	50,000
ELECTRICAL	Power Factor	> 0.9
	Input Voltage	100-277V / 347-480V ~ 50/60 Hz
	Dimming	0-10V Dimmable
	THD	< 0.2
	Motion Sensor	Optional Integrated Motion Sensor
OPTICS	Beam Angle (°)	80 when wedges are flat
	Lampshade	No
INSTALLATION	Standard Mount	Eye Loop Mount
	Security	Trunnion or Conduit Pipe
CERTIFICATION	Certifications	DLC / ETL
	Other Listings	Certified to NSF/ANSI 2 for Splash and Non-food Zones.
	IP	65
	IK	09
	Environment	Indoor / Natatorium
	Ambient Operating Temperature	-25°C ~ +71°C / -13°F ~ +160°F
	Warranty	Limited (5) Year

LUMAWEDGE High Bay

MOUNTING OPTIONS and ACCESSORIES

EY - EYE LOOP MOUNT

Eye Loop Mount for Chain/Cable Mount Applications.



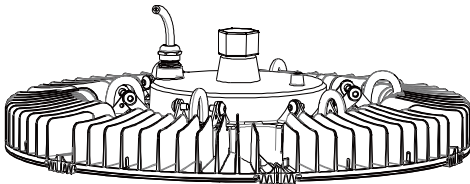
MS - BUILT-IN MOTION SENSOR

Motion Sensor is built into the housing of the luminaire. The Sensor must be factory-programmed prior to shipping.



3Q - 3/4" CONDUIT ADAPTER

3/4" Conduit Adapter for Rigid Mount Applications.



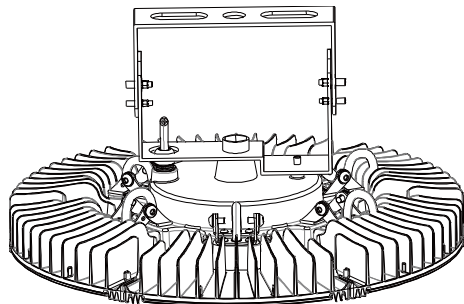
NSF - NSF CERTIFIED MODEL

The NSF Certified Model has a special finish to comply with safety measures for being installed in Food Processing Applications.



UB - TRUNNION BRACKET

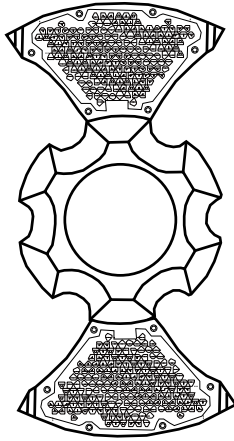
Trunnion Mount Bracket for Adjustable Surface Mount Applications.



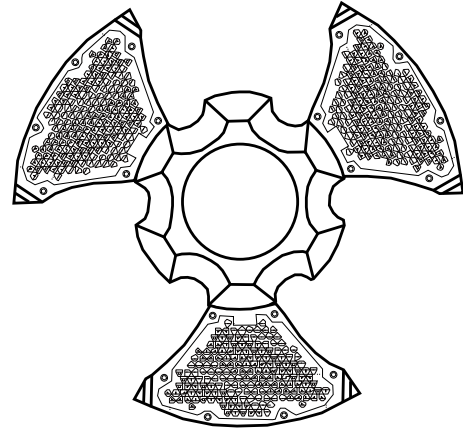
LUMAWEDGE High Bay

DIMENSIONAL DRAWINGS

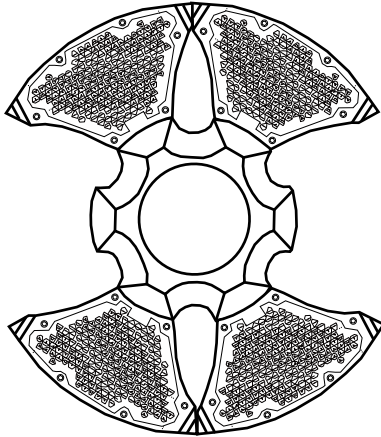
HB-6090



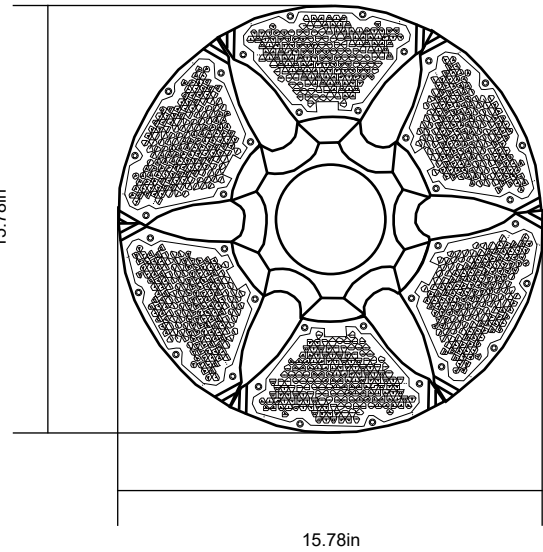
HB-6135



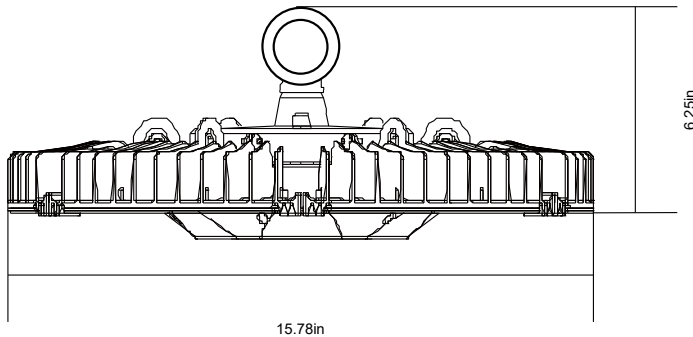
HB-6180



HB-6260



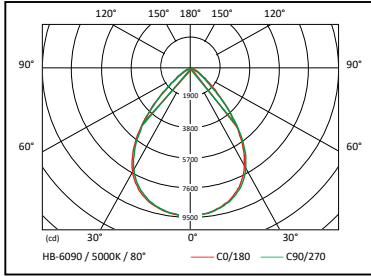
SIDE PROFILE VIEW



LUMAWEDGE High Bay

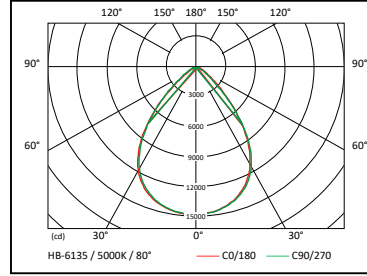
PHOTOMETRICS

HB-6090



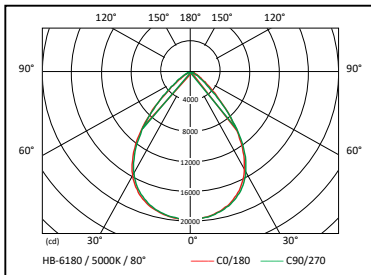
HB-6090 / 5000K / 80°		
2	2282	333
4	570	667
6	254	1000
8	143	1333
10	91	1667
H (m)	E (lx)	D (cm)

HB-6135



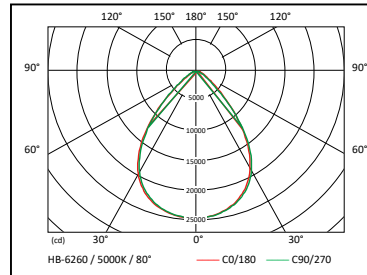
HB-6135 / 5000K / 80°		
2	3523	324
4	881	649
6	392	973
8	220	1298
10	141	1622
H (m)	E (lx)	D (cm)

HB-6180



HB-6180 / 5000K / 80°		
2	4603	335
4	1151	669
6	511	1004
8	288	1338
10	184	1673
H (m)	E (lx)	D (cm)

HB-6260



HB-6260 / 5000K / 80°		
2	6269	332
4	1567	664
6	697	995
8	392	1327
10	251	1659
H (m)	E (lx)	D (cm)