

ICEBREAKER High Bay



FEATURES

- Maximum Temperature Rating up to +76°C/170°F
- Durable die-cast aluminum housing
- Several lampshade and beam angle options
- IP65 and IK09 rated
- Built to withstand harsh environments
- Dimming and Motion Sensor capable
- 5 Year Warranty

APPLICATIONS

- Gymnasium
- Warehouse
- Factory
- Showroom
- Recreational

CONSTRUCTION

The body of Ice Breaker High Bay series is made of aluminum with a high ingress protection rating to guard it from dust or water entering or impacting the fixture. The diffuser has a high-impact resistance, factoring into a high impact resistance rating, and protects the LEDs from any contact with external factors.

WARRANTY

- Limited Five (5) Year Warranty standard

For more information regarding the limited five (5) year warranty please contact the factory at (844) 202-5606 or email Customer Service at LEDCustService@dascom.com.



ORDERING GUIDE

SERIES	WATTAGE	BEAM ANGLE ¹	CRI	CCT	FINISH	VOLTAGE	LAMP SHADE	OPTIONS
HB-2	100LW	100W	8	30	BLK	U	MPR	MS
	150LW	150W		40			BEL	
	200LW	200W		50			ACR	
	250LW	250W		ACRD				
		120 DEGREE	≥80	3000K	BLACK	100-277V	ALUMINUM EMPIRE LAMP SHADE	MOTION SENSOR
				4000K			ALUMINUM BELL-SHAPED LAMP SHADE	0-10V DIMMABLE
				5000K			ACRYLIC BELL-SHAPED LAMP SHADE	
							ACR LAMP SHADE with FROSTED DIFFUSOR	

¹ Beam Angle listed is assuming no lampshade. Beam Angle will vary based on which Lampshade is used.

ICEBREAKER High Bay

SPECIFICATIONS

LED SPECIFICATION			3000K		4000K		5000K		WEIGHT (lbs.)	CERTIFICATION
MODEL	WATTS	OPTIC	LUMENS	EFFICACY	LUMENS	EFFICACY	LUMENS	EFFICACY		
HB-2100	102	MPR	11,734	115 lm/W	11,983	117 lm/W	12,483	122 lm/W	8.82	ETL
HB-2150	151	MPR	16,145	107 lm/W	16,487	109 lm/W	17,175	114 lm/W	11.46	ETL
HB-2200	202	MPR	22,130	110 lm/W	22,600	112 lm/W	23,542	117 lm/W	13.67	ETL
HB-2250	250	MPR	26,170	105 lm/W	26,725	107 lm/W	27,840	111 lm/W	18.52	ETL

SPECIFICATION		VALUE
PERFORMANCE	Power Consumption (W)	102 / 151 / 202 / 250
	Lumens Delivered (lm)	11,734 - 27,840
	Efficacy (lm/W)	105 - 122
	CRI	≥80
	Color Temperature (K)	3000 / 4000 / 5000
	L70 Lumen Maintenance (hr)	50,000
ELECTRICAL	Power Factor	> 0.9
	Input Voltage	100-277V ~ 50/60 Hz
	Dimming	Dimmable optional
	THD	< 0.2
	Motion Sensor	External Motion Sensor optional
OPTICS	Beam Angle (°)	55 / 72 / 100
	Lampshade	Yes, Aluminum and Acrylic shades optional
INSTALLATION	Standard Mount	Eye Loop
	Security	Lock Catch with Safety Cable
CERTIFICATION	Certifications	ETL
	IP	65
	IK	09
	Environment	Indoor / Outdoor / Natatorium
	Ambient Operating Temperature	-40°C ~ +76°C / -40°F ~ +170°F
	Warranty	Limited (5) Year

ICEBREAKER High Bay

MOUNTING OPTIONS and ACCESSORIES

MPR - ALUMINUM EMPIRE LAMPSHADE

Achieve an even 100° distribution with the MPR lampshade.



BEL - ALUMINUM BELL-SHAPED LAMPSHADE

BEL lampshade provides a more focused 55° distribution.



ACR - ACRYLIC BELL-SHAPED LAMPSHADE

ACR lampshade has a beam spread of 72° and moderate uplight.



ACRD - ACR LAMPSHADE with DIFFUSOR

This option pairs the ACR lampshade with a Frosted Diffusor that fastens around the lampshade to minimize glare.



MS - MOTION SENSOR

External Motion Sensor mounts to Lampshade. Step down dimming function automates 100% down to 50% down to 0% depending on occupancy within the installation area.



DIM - 0-10V DIMMABLE

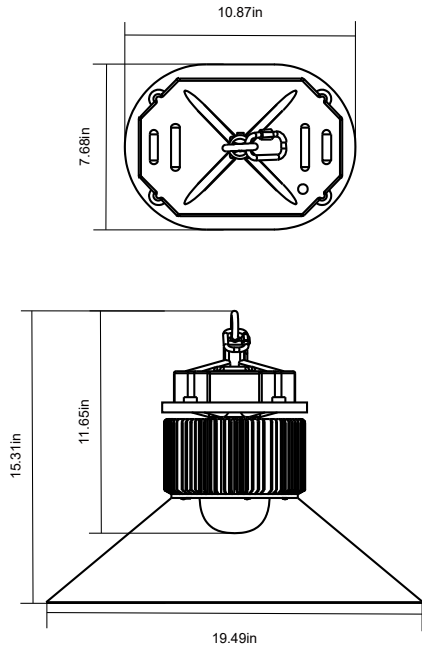
Internal 0-10V dimmable driver available for all Ice Breaker High Bay models. Must be factory installed prior to shipping.



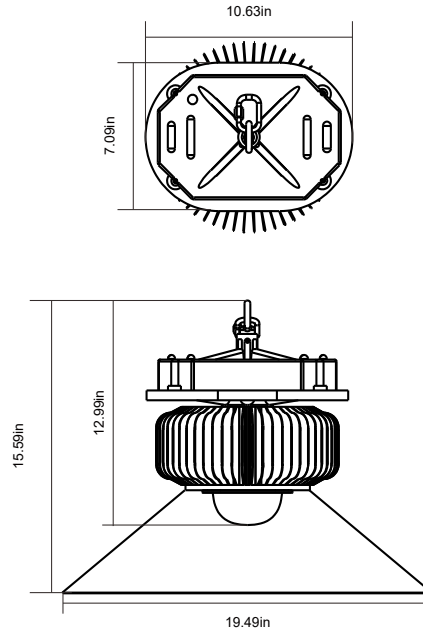
ICEBREAKER High Bay

DIMENSIONAL DRAWINGS

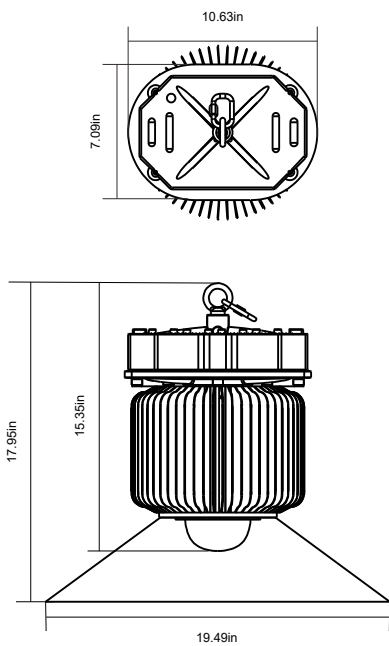
HB-2100LW



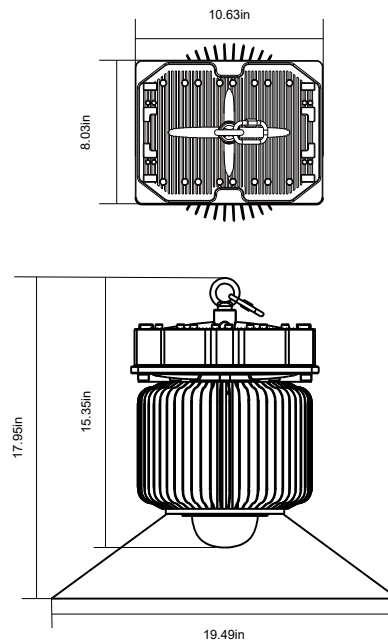
HB-2150LW



HB-2200LW



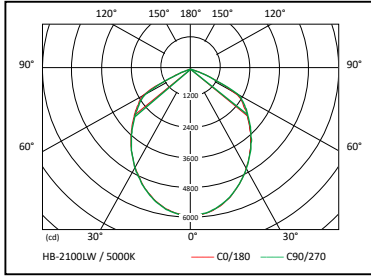
HB-2250LW



ICEBREAKER High Bay

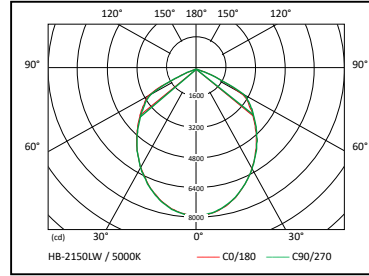
PHOTOMETRICS

HB-2100LW



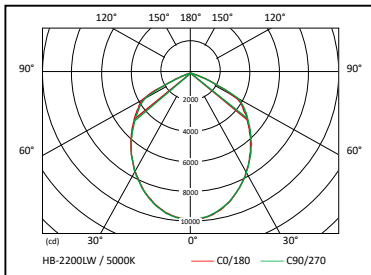
HB-2100LW/ 5000K / MPR		
2	1391	484
4	349	967
6	155	1451
8	87	1934
10	56	2418
H (m)	E (lx)	D (cm)

HB-2150LW



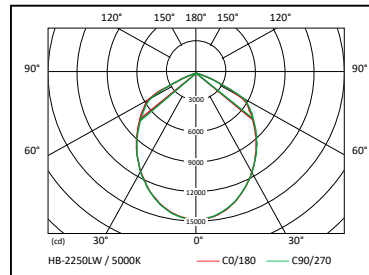
HB-2150LW/ 5000K / MPR		
2	1913	484
4	478	967
6	213	1451
8	120	1934
10	77	2418
H (m)	E (lx)	D (cm)

HB-2200LW



HB-2200LW/ 5000K / MPR		
2	2622	484
4	655	967
6	291	1451
8	164	1934
10	105	2418
H (m)	E (lx)	D (cm)

HB-2250LW



HB-2250LW/ 5000K / MPR		
2	3098	484
4	775	967
6	344	1451
8	194	1934
10	124	2418
H (m)	E (lx)	D (cm)