

## Hazardous Location Jelly Jar



### FEATURES

- Vibration-proof durable die-cast aluminum housing
- Wide lighting distribution
- Tempered Glass Lens to protect internal components.
- Ceiling Mount, Wall Mount, Pendant Mount Options
- IP66 and IK10 rated
- Anti-corrosive finish to withstand harsh environments
- UL1598A Listed for Marine Applications
- UL844 Listed for Hazardous Locations
- 5 Year Warranty

### APPLICATIONS

- Chemical Plants
- Gas Storage
- Painting Booths
- Refineries

### CONSTRUCTION

Vibration-proof, durable die-cast aluminum housing with Tempered Glass Lens to protect internal components. The luminaire is sealed with resilient gasketing to prevent ingress. Optimal heat management ensures a longer luminaire life. 3/4" Thread Built Into the Hub of the Fixture for Conduit Mounting.

### WARRANTY

- Limited Five (5) Year Warranty standard

For more information regarding the limited five (5) year warranty please contact the factory at (844) 202-5606 or email Customer Service at [LEDCustService@dascom.com](mailto:LEDCustService@dascom.com).



### ORDERING GUIDE

| SERIES | WATTAGE            | BEAM ANGLE    | CRI   | CCT                  | FINISH   | VOLTAGE    | OPTIONS  |
|--------|--------------------|---------------|-------|----------------------|----------|------------|--|
| EX-2   | 030 30W<br>040 40W | WW 120 DEGREE | 7 ≥73 | 40 4000K<br>50 5000K | GRY GRAY | U 100-277V | <b>CM</b> CEILING MOUNT BRACKET<br><b>PND</b> PENDANT MOUNT<br><b>WA</b> WALL ARM MOUNT<br><b>WAP</b> WALL ARM MOUNT w/ POLE STANCHION<br><b>25D</b> 25 DEGREE POLE STANCHION<br><b>SHD</b> ALUMINUM LAMPSHADE |

## Hazardous Location Jelly Jar

### SPECIFICATIONS

| LED SPECIFICATION |       |       | 4000K  |          | 5000K  |          | WEIGHT (lbs.) | C1 D1 | C1 D2 | C2 D1 | C2 D2 | C3 |
|-------------------|-------|-------|--------|----------|--------|----------|---------------|-------|-------|-------|-------|----|
| MODEL             | WATTS | OPTIC | LUMENS | EFFICACY | LUMENS | EFFICACY |               |       |       |       |       |    |
| EX-2030           | 30    | WW    | 3,990  | 133 lm/W | 4,050  | 135 lm/W | 10.36         | X     | X     | X     | X     | X  |
| EX-2040           | 40    | WW    | 5,320  | 133 lm/W | 5,400  | 135 lm/W | 10.36         | X     | X     | X     | X     | X  |

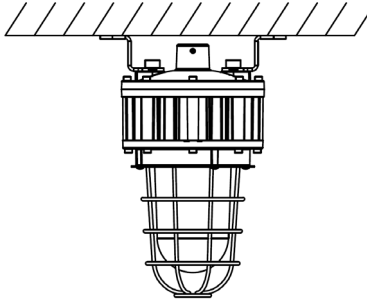
| SPECIFICATION |                               | VALUE   |
|---------------|-------------------------------|---|
| PERFORMANCE   | Power Consumption (W)         | 60 / 100 / 150 / 200                              |
|               | Lumens Delivered (lm)         | 7,980 - 28,000                                    |
|               | Efficacy (lm/W)               | 133 - 140   |
|               | CRI                           | ≥73   |
|               | Color Temperature (K)         | 4000 / 5000                                       |
|               | L70 Lumen Maintenance (hr)    | 50,000  |
| ELECTRICAL    | Power Factor                  | > 0.9   |
|               | Input Voltage                 | 100-277V ~ 50/60 Hz                               |
|               | Dimming                       | Non-dimmable                                      |
|               | THD                           | < 0.2   |
|               | Dusk-to-Dawn Sensor           | No  |
| OPTICS        | Beam Angle (°)                | 120   |
|               | Lampshade                     | Aluminum Lampshade available                      |
| INSTALLATION  | Standard Mount                | Aluminum Ceiling Mount                            |
|               | Optional Mount                | Wall Mount / Pole Mount / Pendant Mount           |
|               | Anti-Vibration                | Yes, Housing has Anti-Vibration features standard |
|               | Tilt                          | None  |
| CERTIFICATION | Certifications                | UL 1598 / UL1598A / UL844 / ABS                   |
|               | IP                            | 66  |
|               | IK                            | 10  |
|               | Environment                   | Outdoor / Wet / Marine / Hazardous                |
|               | Ambient Operating Temperature | -40°C ~ +50°C / -40°F ~ +122°F                    |
|               | Warranty                      | Limited (5) Year                                  |

## Hazardous Location Jelly Jar

### MOUNTING OPTIONS and ACCESSORIES

#### CM - CEILING MOUNT

Static Ceiling Mount comes standard on all models.

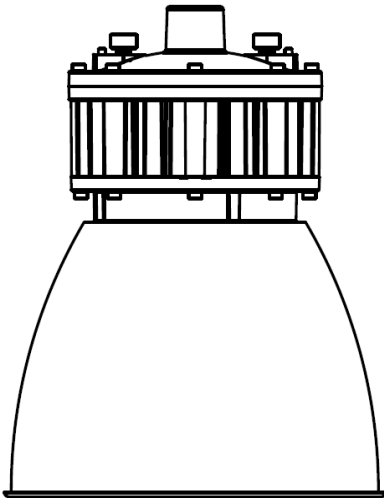


#### PND - PENDANT MOUNT

12 degree rigid pendant mount pipe, 1ft length.

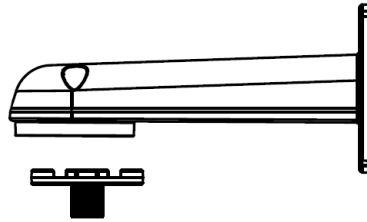
#### SHD - ALUMINUM LAMPSHADE

Aluminum Lampshade for full cutoff distribution.



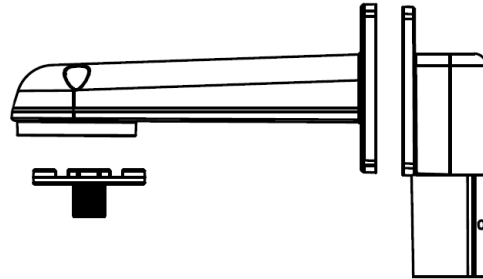
#### WA - WALL ARM MOUNT

Option allows the Flood Light to be mounted to any wall.



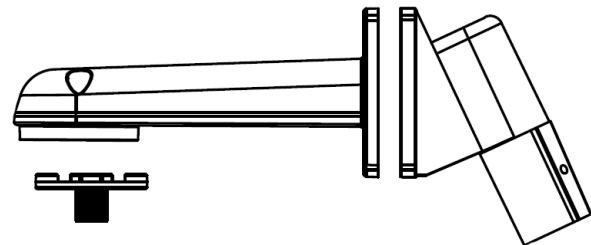
#### WAP - WALL ARM MOUNT with POLE

Wall Arm with Pole Stanchion Adapter.



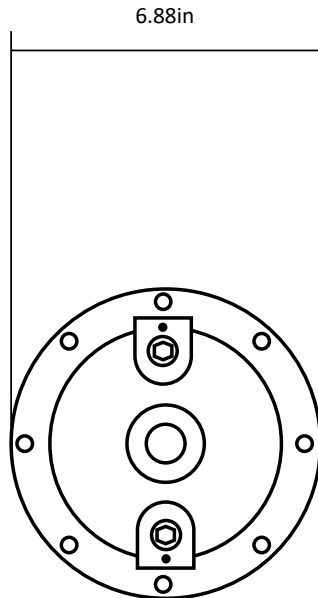
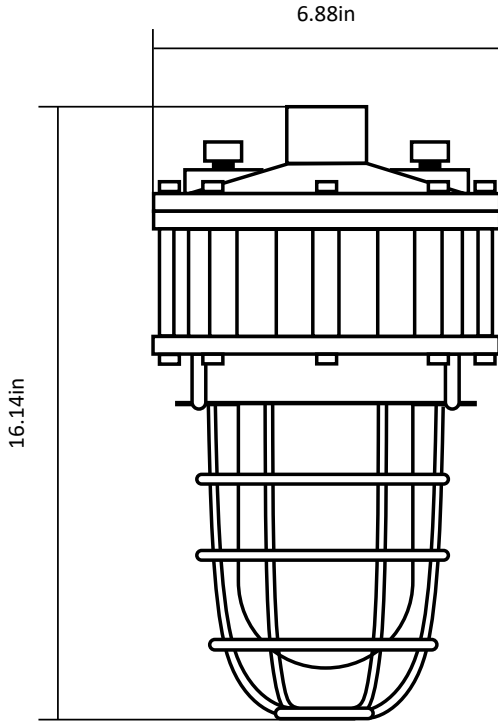
#### 25D - 25 DEGREE POLE

Wall Arm with Pole Stanchion Adapter at a fixed 25 degree angle.



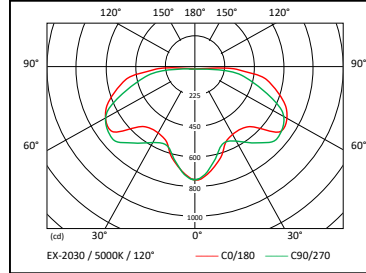
## Hazardous Location Jelly Jar

### DIMENSIONAL DRAWINGS



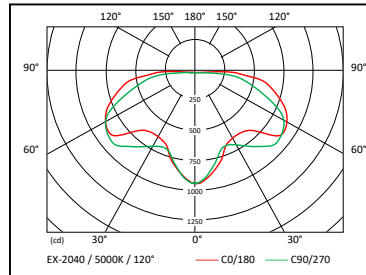
### PHOTOMETRICS

#### EX-2030



| EX-2030 / 5000K / 120° |       |        |
|------------------------|-------|--------|
| H (m)                  | E (k) | D (cm) |
| 1                      | 1308  | 300    |
| 2                      | 432   | 600    |
| 3                      | 161   | 900    |
| 4                      | 99    | 1200   |
| 5                      | 69    | 1500   |

#### EX-2040



| EX-2040 / 5000K / 120° |       |        |
|------------------------|-------|--------|
| H (m)                  | E (k) | D (cm) |
| 1                      | 1743  | 300    |
| 2                      | 576   | 600    |
| 3                      | 214   | 900    |
| 4                      | 131   | 1200   |
| 5                      | 92    | 1500   |