

Hazardous Location High Bay



FEATURES

- Vibration-proof durable die-cast aluminum housing
- Wide lighting distribution
- Tempered Glass Lens to protect internal components.
- Yoke Mount, Slipfitter, Wall Mount, Pendant Mount Options
- IP66 and IK10 rated
- Anti-corrosive finish to withstand harsh environments
- UL1598A Listed for Marine Applications
- UL844 Listed for Hazardous Locations
- 5 Year Warranty

APPLICATIONS

- Chemical Plants
- Gas Storage
- Painting Booths
- Refineries

CONSTRUCTION

Vibration-proof, durable die-cast aluminum housing with Tempered Glass Lens to protect internal components. The luminaire is sealed with resilient gasketing to prevent ingress. Optimal heat management ensures a longer luminaire life. 3/4" Thread Built Into the Hub of the Fixture for Conduit Mounting.

WARRANTY

- Limited Five (5) Year Warranty standard

For more information regarding the limited five (5) year warranty please contact the factory at (844) 202-5606 or email Customer Service at LEDCustService@dascom.com.



ORDERING GUIDE

SERIES	WATTAGE	BEAM ANGLE	CRI	CCT	FINISH	VOLTAGE	OPTIONS
EX-3	060 60W 100 100W 100X 100W 150 150W 150X 150W 200 200W 300 300W	WW 120 DEGREE	7 ≥73	40 4000K 50 5000K	GRY GRAY	U 100-277V H 200-480V	UB TRUNNION MOUNT BRACKET WA WALL ARM MOUNT WAP WALL ARM MOUNT w/ POLE STANCHION 25D 25 DEGREE POLE STANCHION PND PENDANT MOUNT SHD ALUMINUM LAMPSHADE EMB EMERGENCY BATTERY

Hazardous Location High Bay

SPECIFICATIONS

LED SPECIFICATION			4000K		5000K		EPA*	BUG	WEIGHT (lbs.)	C1 D1	C1 D2	C2 D1	C2 D2	C3
MODEL	WATTS	OPTIC	LUMENS	EFFICACY	LUMENS	EFFICACY								
EX-3060	60	WW	7,980	133	8,400	140	0.94	B3-U1-G0	7.71		X	X	X	X
EX-3100	100	WW	13,300	133	14,000	140	0.94	B3-U1-G1	38.36		X	X	X	X
EX-3100X	100	WW	13,300	133	14,000	140	2.13	B3-U1-G1	38.36	X	X	X	X	X
EX-3150	150	WW	19,950	133	21,000	140	0.94	B4-U1-G1	38.36		X	X	X	X
EX-3150X	150	WW	19,950	133	21,000	140	2.13	B4-U1-G1	38.36	X	X	X	X	X
EX-3200	200	WW	26,600	133	28,000	140	0.94	B4-U1-G2	38.36		X	X	X	X
EX-3300	300	WW	39,900	133	42,000	140	0.94	B4-U1-G2	38.36		X	X	X	X

* EPA Ratings listed assume fixture is mounted horizontally. EPA rating will vary based on mounting angle.

SPECIFICATION		VALUE
PERFORMANCE	Power Consumption (W)	60 / 100 / 150 / 200 / 300
	Lumens Delivered (lm)	7,980 - 28,000
	Efficacy (lm/W)	133 - 140
	CRI	≥73
	Color Temperature (K)	4000 / 5000
	L70 Lumen Maintenance (hr)	50,000
ELECTRICAL	Power Factor	> 0.9
	Input Voltage	100-277V / 347-480V ~ 50/60 Hz
	Dimming	Non-dimmable
	THD	< 0.2
OPTICS	Beam Angle (°)	120
	Lampshade	Aluminum Lampshade available
INSTALLATION	Standard Mount	Aluminum Yoke Mount
	Optional Mount	Wall Mount / Pole Mount / Pendant Mount
	Anti-Vibration	Yes, Housing has Anti-Vibration features standard
	Tilt	160°+ Vertically
CERTIFICATION	Certifications	UL 1598 / UL1598A / UL844 / ABS
	IP	66
	IK	10
	Environment	Outdoor / Wet / Marine / Hazardous
	Ambient Operating Temperature	-40°C ~ +50°C / -40°F ~ +122°F
Warranty	Limited (5) Year	

Hazardous Location High Bay

MOUNTING OPTIONS and ACCESSORIES

UB - YOKE MOUNT

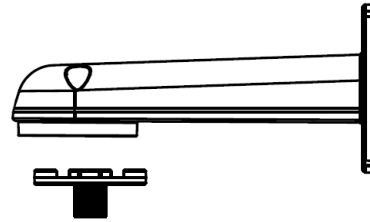
Rotatable Yoke Mount comes standard on all models.

WA - WALL ARM MOUNT

Option allows the Flood Light to be mounted to any wall.

PND - PENDANT MOUNT

12 degree rigid pendant mount pipe, 1ft length.

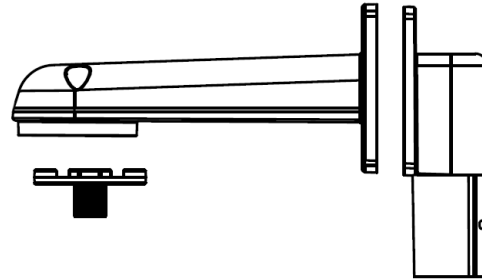
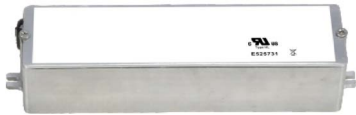


EMB - EMERGENCY BATTERY

Internal battery with 15W power and 90 minute duration.

WAP - WALL ARM MOUNT with POLE

Wall Arm with Pole Stanchion Adapter.

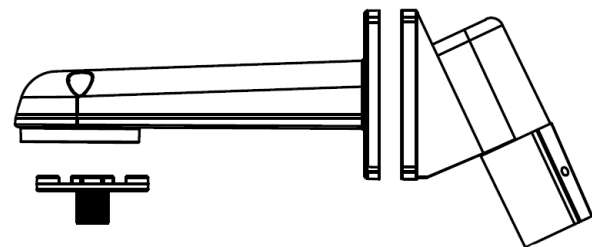
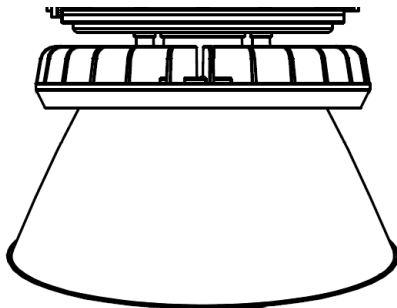


SHD - ALUMINUM LAMPSHADE

Aluminum Lampshade for full cutoff distribution.

25D - 25 DEGREE POLE

Wall Arm with Pole Stanchion Adapter at a fixed 25 degree angle.

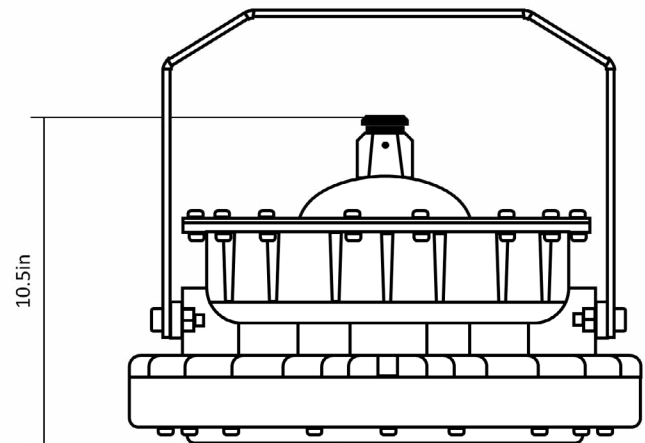
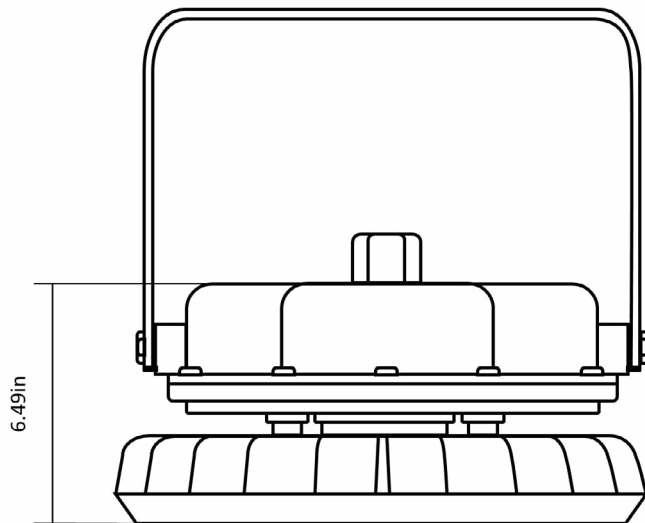
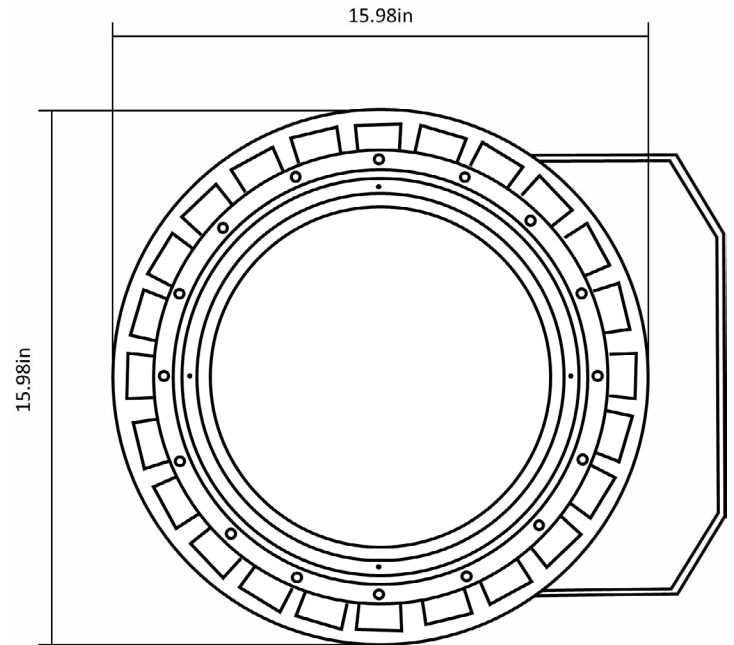
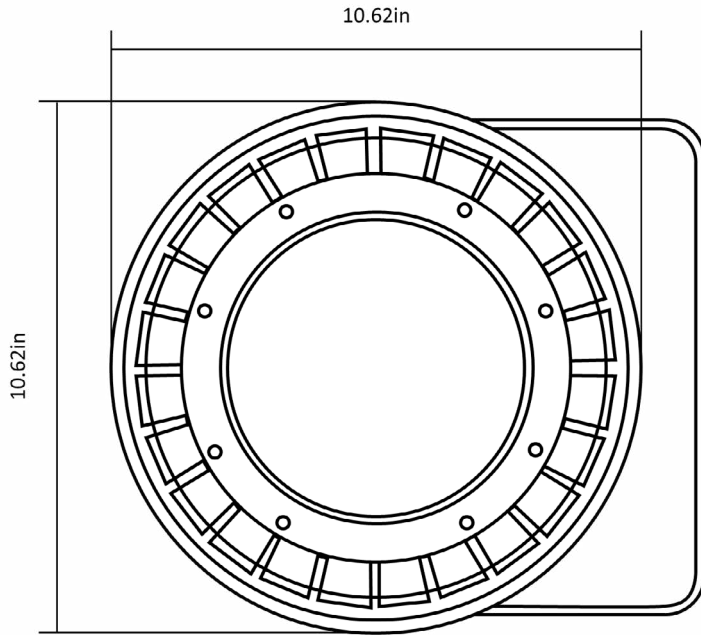


Hazardous Location High Bay

DIMENSIONAL DRAWINGS

STANDARD MODEL

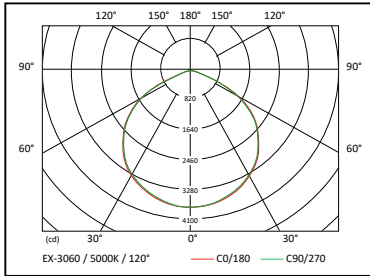
X SERIES MODEL



Hazardous Location High Bay

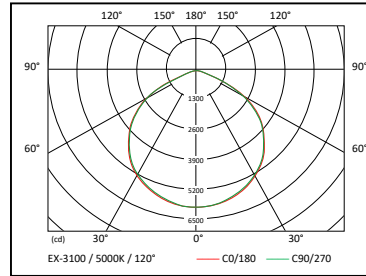
PHOTOMETRICS

EX-3060



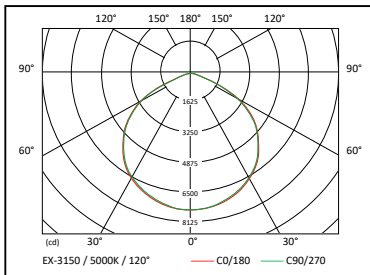
EX-3060 / 5000K / 120°		
2	612	457
4	154	914
6	69	1828
8	39	3656
10	25	7312
H (m)	E (k)	D (cm)

EX-3100



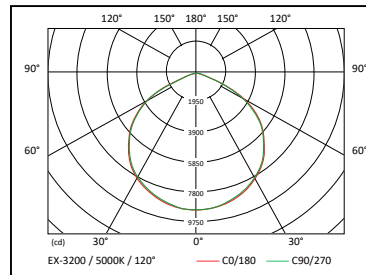
EX-3100 / 5000K / 120°		
2	1019	457
4	257	914
6	114	1828
8	64	3656
10	41	7312
H (m)	E (k)	D (cm)

EX-3150



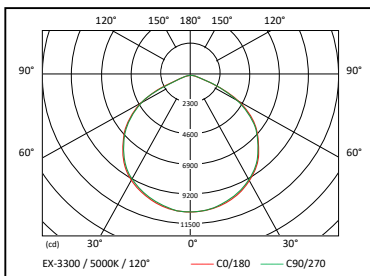
EX-3150 / 5000K / 120°		
2	1529	457
4	385	914
6	171	1828
8	96	3656
10	62	7312
H (m)	E (k)	D (cm)

EX-3200



EX-3200 / 5000K / 120°		
2	2039	457
4	513	914
6	228	1828
8	129	3656
10	82	7312
H (m)	E (k)	D (cm)

EX-3300



EX-3300 / 5000K / 120°		
2	3058	457
4	770	913
6	342	1828
8	192	3656
10	124	7311
H (m)	E (k)	D (cm)