

Hazardous Location Exit Sign Lighting B Series

FEATURES



- Vibration-proof durable die-cast aluminum housing
- Tempered Glass Lens to protect internal components
- Pendant Mount and Wall Mount options
- 3 hour Emergency Duration
- Edge-lit design
- IP66 and IK10 rated
- UL844 Listed for Hazardous Locations
- 5 Year Warranty

APPLICATIONS

- Chemical Plants
- Gas Storage
- Painting Booths
- Refineries

CONSTRUCTION

Vibration-proof, durable die-cast aluminum housing with Stainless Steel components and Tempered Glass to protect internal components. The luminaire is sealed with resilient gasketing to prevent ingress. Optimal heat management ensures a longer luminaire life.

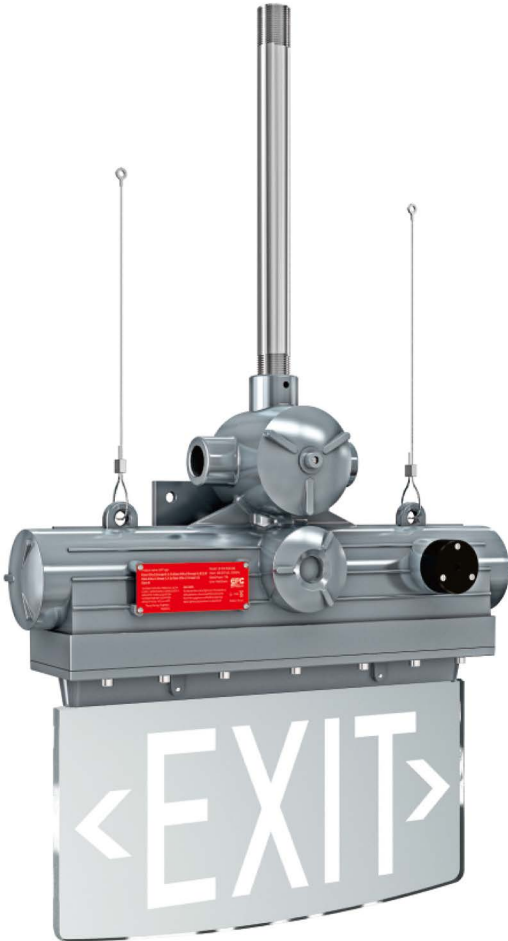
CLASS, DIVISION, GROUPS

- Class I, Division 1, Groups B, C, D
- Class I, Division 2, Groups A, B, C, D
- Class II, Division 1, Groups E, F, G
- Class II, Division 2, Groups F, G
- Class III

WARRANTY

- Limited Five (5) Year Warranty standard

For more information regarding the limited five (5) year warranty please contact the factory at (844) 202-5606 or email Customer Service at LEDCustService@dascom.com.



ORDERING GUIDE

SERIES	WATTAGE	FINISH	VOLTAGE	OPTIONS
EX-9	005B 5W	GRY GRAY	U 100-277V	WM WALL MOUNT PM PENDANT MOUNT

Hazardous Location Exit Sign Lighting B Series

SPECIFICATIONS

SPECIFICATION		VALUE
PERFORMANCE	Power Consumption (W)	5
	L70 Lumen Maintenance (hr)	50,000
ELECTRICAL	Power Factor	> 0.9
	Input Voltage	100-277V ~ 50/60 Hz
	Dimming	Non-dimmable
	THD	< 0.2
INSTALLATION	Mounting Options	Pendant Mount and Wall Mount
	Anti-Vibration	Yes, Housing has Anti-Vibration features standard
CERTIFICATION	Certifications	UL1598 / UL1598A / UL844
	IP	66
	IK	10
	Environment	Outdoor / Wet / Marine / Hazardous
	Ambient Operating Temperature	-10°C ~ +60°C / 14°F ~ +140°F
	Warranty	Limited (5) Year

INDICATOR LIGHT

If 2 or 3 of the Indicator Lights are on while powering up, it is necessary to reset the unit by pressing the switch "ON" for 6 seconds, then quickly pressing the switch to "OFF" back to "ON" again.

RED: Fast Charging for 2 hours. When Charging, indicator displays 20%-80% of battery capacity.

GREEN: Trickle Charging. When Charging, indicator displays 80%-100% of battery capacity.

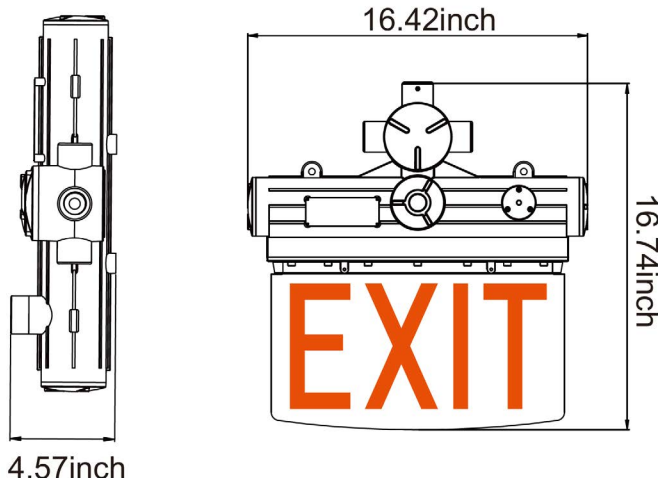
RED and GREEN: Lights flash for 5 minutes indicating the unit is at 80% battery capacity.

YELLOW: Discharge is below 20%.

SWITCH DESCRIPTION

- Press the switch "ON" once, the EXIT sign and indicator light will flash once, with an ON/OFF interval of 10 seconds.
- While the main electricity is disconnected, long press and hold the switch for 3 to 5 seconds to turn off the product. If the EXIT sign needs to be turned on again, it will be activated through the main electricity.
- The product will automatically self-inspect for any issues every 30 to 31 days. The EXIT sign and indicator light will flash a couple times and turn off if everything is in order.

DIMENSION DRAWING

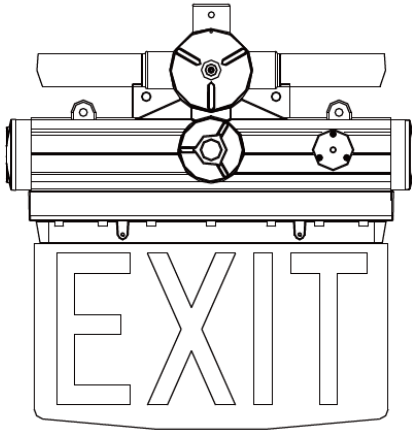


Hazardous Location Exit Sign Lighting B Series

MOUNTING OPTIONS

WM - WALL MOUNT

Plate included for Wall Mounting.



PM - PENDANT MOUNT

Pipe included for rigid pendant mount.

