

EXPLORER PRO Flood Light



FEATURES

- Durable die-cast aluminum housing
- Black finish
- Narrow, Medium, and Wide lighting distributions
- Yoke Mount standard, optional Slipfitter
- IP66 and IK09 rated
- Anti-corrosive finish to withstand harsh environments
- 5 Year Standard Warranty

APPLICATIONS

- Area Lighting
- Wall Washing
- Signage
- Recreational
- Flagpole

CONSTRUCTION

With Die-Cast Aluminum Housing, Anti-Corrosive Treatment, and Heavy-Duty Polycarbonate Lens the Explorer Pro Flood Light is built to withstand the toughest environments and provide crisp, clear lighting. The fixture is tightly sealed for resiliency and to prevent ingress. Industry-leading impact resistant construction keeps the fixture housing free from damage in tough, physical settings, while finned heatsinks provide optimal heat management to increase luminaire life.

WARRANTY

- Limited Five (5) Year Warranty standard

For more information regarding the limited five (5) year warranty please contact the factory at (844) 202-5606 or email Customer Service at LEDCustService@dascom.com.



ORDERING GUIDE

SERIES	WATTAGE	BEAM ANGLE	CRI	CCT	FINISH	VOLTAGE	OPTIONS
FL-5	80P 80W	N 22 DEGREE	7 ≥70	30 3000K	BLK BLACK	U 100-277V	SPF 2-3/8" SLIPFITTER
	160P 160W	M 45 DEGREE		40 4000K			
	200P 200W	W 80 DEGREE		50 5000K			

EXPLORER PRO Flood Light

SPECIFICATIONS

LED SPECIFICATION			3000K		4000K		5000K		EPA*	BUG	WEIGHT (lbs.)	CERTIFICATION
MODEL	WATTS	OPTIC	LUMENS	EFFICACY	LUMENS	EFFICACY	LUMENS	EFFICACY				
FL-5080P	80	N	10,880	136 lm/W	11,040	138 lm/W	11,200	140 lm/W	0.72 ft²	B4-U2-G0	14.7	ETL, CE
		M	11,200	140 lm/W	11,360	142 lm/W	11,520	144 lm/W				
		W	9,280	116 lm/W	9,440	118 lm/W	9,600	120 lm/W				
FL-5160P	160	N	19,680	123 lm/W	20,000	125 lm/W	20,320	127 lm/W				
		M	20,320	127 lm/W	20,640	129 lm/W	20,960	131 lm/W				
		W	18,240	114 lm/W	18,560	116 lm/W	18,880	118 lm/W				
FL-5200P	200	N	23,200	116 lm/W	23,600	118 lm/W	24,000	120 lm/W				
		M	24,000	120 lm/W	24,400	122 lm/W	24,800	124 lm/W				
		W	20,600	103 lm/W	21,000	105 lm/W	21,400	107 lm/W				

* EPA Ratings listed assume fixture is mounted horizontally. EPA rating will vary based on mounting angle.

SPECIFICATION		VALUE
PERFORMANCE	Power Consumption (W)	80 / 160 / 200
	Lumens Delivered (lm)	9,280 - 24,800
	Efficacy (lm/W)	103 - 144
	CRI	≥70
	Color Temperature (K)	3000 / 4000 / 5000
	L70 Lumen Maintenance (hr)	70,000
ELECTRICAL	Power Factor	> 0.96
	Input Voltage	100-277V ~ 50/60 Hz
	Dimming	Non-dimmable
	THD	< 0.2
	Dusk-to-Dawn Sensor	No
OPTICS	Beam Angle (°)	22 / 45 / 80
	Glare Shield	No
INSTALLATION	Standard Mount	Yoke Mount
	Optional Mount	Slipfitter
	Anti-Vibration Mount	No
	Tilt	160°+ Vertically
CERTIFICATION	Certifications	ETL / CE
	IP	66
	IK	09
	Environment	Outdoor / Wet / Natatorium
	Ambient Operating Temperature	-40°C ~ +45°C / -40°F ~ +113°F
	Warranty	Limited (5) Year

EXPLORER PRO Flood Light

MOUNTING OPTIONS

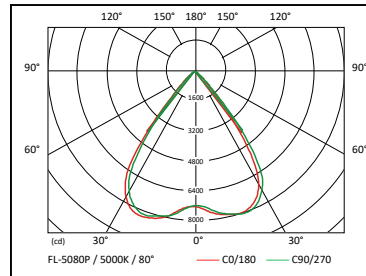
SPF - 2-3/8" SLIPFITTER

2-3/8" Slipfitter available for all models. Slipfitter adapter helps mount flood light to a broad range of poles and tenons.



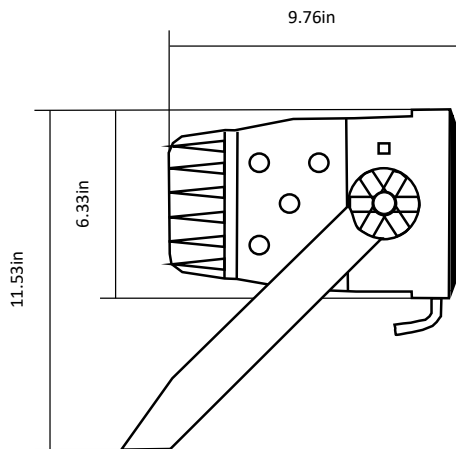
PHOTOMETRICS

FL-5080P

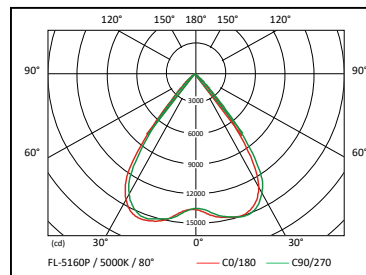


H (m)	E (k)	D (cm)
3	795	354
6	199	708
9	88	1062
12	50	1416
15	32	1770

DIMENSIONAL DRAWINGS

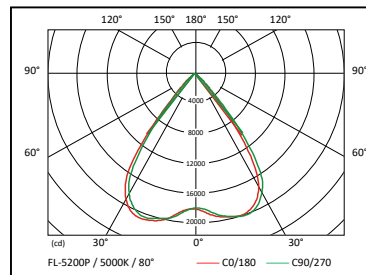


FL-5160P



H (m)	E (k)	D (cm)
3	1485	381
6	371	762
9	165	1142
12	93	1523
15	59	1904

FL-5200P



H (m)	E (k)	D (cm)
3	1947	416
6	487	832
9	216	1248
12	122	1664
15	78	2080

