

## Solar DELTA Street Light



### FEATURES

- Long Lasting Solar Pole Assembly
- Dark Bronze finish
- Fixture, Solar Panel, Battery, and all connections included
- Optional Mounting Bracket for Pole Mounting
- Charge Duration Five (9) Hours
- Thirty (30) Hour Output Duration when 100% Output
- Step-down Dimming Function throughout the night
- 3 Year Warranty

### APPLICATIONS

- Parking Lots
- Roadways
- Security Lighting
- Walkways
- Recreation

### CONSTRUCTION

The Delta Solar Street Light is made with a Die-Cast Aluminum Alloy housing with a Dark Bronze finish. Paired with a Lithium Battery and an Aluminum framed Solar Panel, this setup has all you need for a complete assembly.

### WARRANTY

- Limited Three (3) and Five (5) Year Warranty standard

Three year warranty on the Battery

Five year warranty on the Lighting Unit

For more information regarding the limited warranty please contact the factory at (844) 202-5606 or email Customer Service at [LEDCustService@dascom.com](mailto:LEDCustService@dascom.com).

### ORDERING GUIDE

SERIES	WATTAGE	BEAM ANGLE	CRI	CCT	FINISH	VOLTAGE	MOUNTING
SR-1	048 48W 080 80W	T3 TYPE III (145° x 65°)	8 ≥80	50 5000K	DB DARK BRONZE	L 12-24V	TPM TOP OF POLE MOUNT PSM SIDE OF POLE MOUNT

## Solar DELTA Street Light

### SPECIFICATIONS

LED SPECIFICATION			5000K		FIXTURE EPA*	SOLAR PANEL EPA*	BUG	FIXTURE WEIGHT (lbs.)	SOLAR PANEL WEIGHT (lbs.)
MODEL	WATTS	OPTIC	LUMENS	EFFICACY					
SR-1048	47	T3	5,546	118 lm/W	0.84 ft²	8.41 ft²	B2-U1-G2	4.41	30.86
SR-1080	78	T3	9,204	118 lm/W	1.23 ft²	12.89 ft²	B3-U1-G3	8.82	39.68

\* EPA Ratings listed assume fixture is mounted horizontally. EPA rating will vary based on mounting angle.

BATTERY SPECIFICATION	SR-1048	SR-1080
BATTERY TYPE	Lithium	
NOMINAL CAPACITY (AH)	20	20
BATTERY LIFE	Three (3) Years	
CYCLE LIFE	> 80% @ 25°C @ 2000	
NOMINAL VOLTAGE (V)	14.8	14.8
STANDARD DISCHARGE CURRENT (A)	2.7	5.0
DISCHARGE CUT-OFF VOLTAGE (V)	12.0	12.0
MAX CHARGE VOLTAGE (V)	16.8	16.8
OVERCHARGE DETECTION VOLTAGE (V)	4.25	4.25
OVERDISCHARGE DETECTION VOLTAGE (V)	2.5	2.5
OVERDISCHARGE DETECTION CURRENT (A)	7A ~ 15A	7A ~ 15A

PANEL SPECIFICATION	SR-1048	SR-1080
SOLAR PANEL RATED POWER (W)	90	150
NUMBER of SOLAR PANELS	1	1
MAXIMUM POWER VOLTAGE (Vmp V)	18.0	18.0
MAXIMUM POWER CURRENT (Imp I)	5.02	8.34
SHORT-CIRCUIT CURRENT (Voc)	22.0	22.0
SHORT-CIRCUIT CURRENT (Isc)	5.53	9.18
SYSTEM VOLTAGE (V)	500	500
TOLERANCE	90-95	150-155
NUMBER OF SOLAR CELLS	36	36
DIMENSIONS (INCHES)	47.1 x 21.4 x 1.2	58.1 x 26.6 x 1.2

SPECIFICATION	VALUE	
PERFORMANCE	Power Consumption (W)	47 / 78
	Lumens Delivered (lm)	5,546 - 9,204
	Efficacy (lm/W)	118
	CRI	≥80
	Color Temperature (K)	5000
	Full Charge Duration (hr)	9
	Lighting Output Duration (hr)	30
OPTICS	Input Voltage	12-24V
	Dimming	Non-programmable Step Dimming
	Photocell Sensor	Yes, integrated in Solar Panel
	Motion Sensor	No
OPTICS	Beam Angle	TYPE III
	Glare Shield	No
	INSTALLATION	Standard Mount
Optional Mount		Optional Solar Panel Mounts
Tilt		15°+ Vertically
CERTIFICATIONS	IP	65
	Environment	Outdoor / Wet
	Charging Operating Temp.	0°C ~ +45°C / 32°F ~ +113°F
	Discharging Operating Temp.	-25°C ~ +60°C / -13°F ~ +140°F
	Warranty	Battery: 3 year Lighting Unit: 5 year



## Solar DELTA Street Light

### MOUNTING OPTIONS and ACCESSORIES

#### TPM - TOP OF POLE MOUNTING BRACKET

Two-piece mounting bracket slips over any 2-3/8" pole tenon for a complete solar solution. Dark Bronze. Total weight 36 pounds.



#### PSM - SIDE OF POLE MOUNTING BRACKET

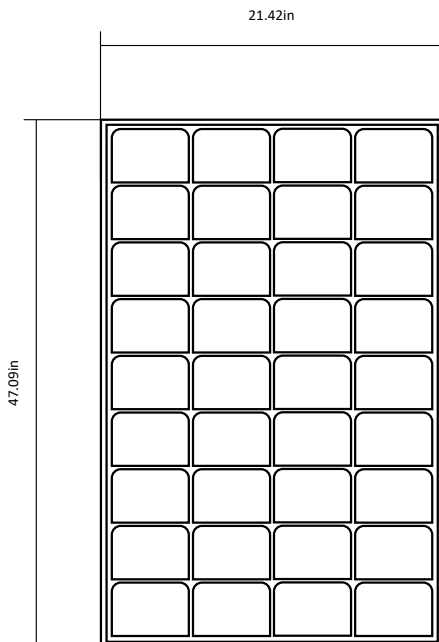
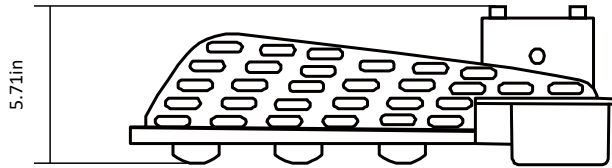
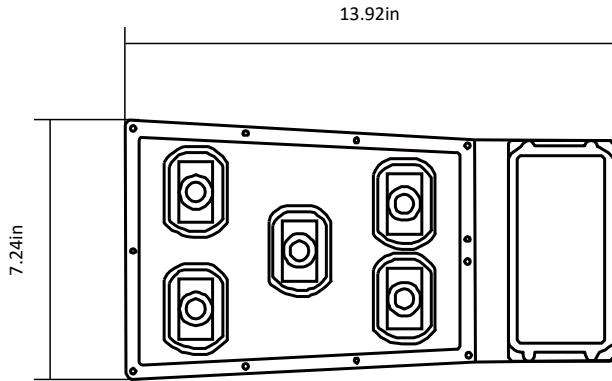
One-piece mounting bracket clamps around any aluminum or steel pole. Additional pole arm required for a complete solution.



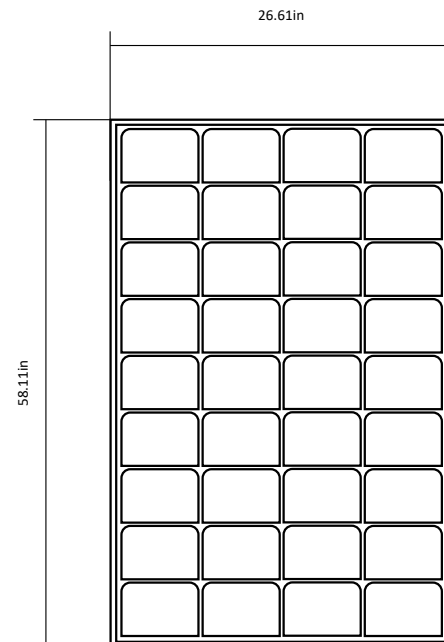
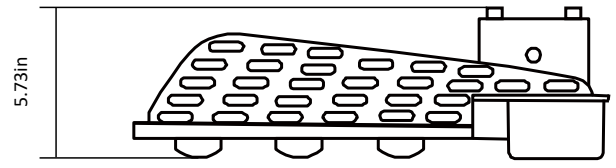
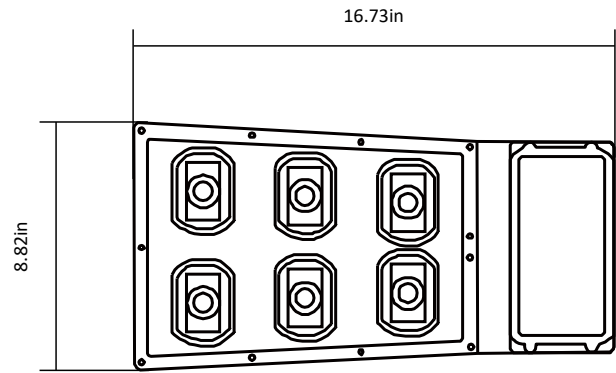
## Solar DELTA Street Light

### DIMENSIONAL DRAWINGS

SR-1048



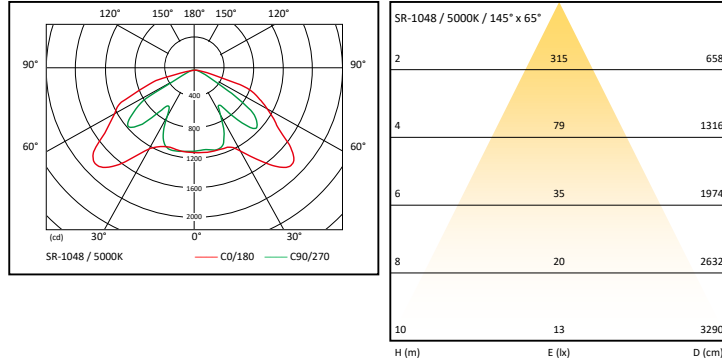
SR-1080



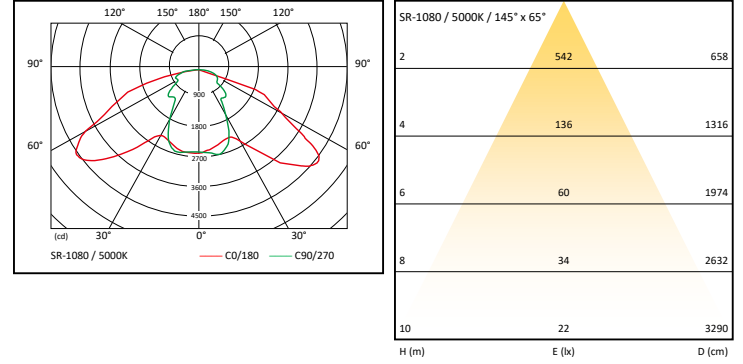
## Solar DELTA Street Light

### PHOTOMETRICS

#### SR-1048



#### SR-1080



### DISCHARGE DIAGRAM

The luminance of the Delta Solar Street Light is on a set down dimming function. When the sensor in the solar panel senses dusk, the luminaire switches on at 100% output.

After two hours the output drops to 70%.

After another two hours the output drops down to 50%.

After just one more hour, the output stays at 20% until dawn.

This setting allows extended light output while requiring a lower charge duration. Please contact the factory for jobs where this settings needs modification. Step-down dimming function is not field adjustable.

