

DELTA High Bay



FEATURES

- Maximum Temperature Rating up to +76°C/170°F
- Durable die-cast aluminum housing
- Dark Bronze finish
- Medium and Wide lighting distributions
- Yoke Mount with Loop Hole standard
- IP65 and IK09 rated
- Anti-corrosive finish to withstand harsh environments
- 5 Year Warranty

APPLICATIONS

- Gymnasium
- Warehouse
- Factory
- Showroom
- Recreational

CONSTRUCTION

With Die-cast Aluminum Housing, Anti-Corrosive Finish, and heavy-duty Polycarbonate lens, the Delta High Bay will shine in any environment. The luminaire is sealed with resilient gasketing to prevent ingress. Finned heatsinks enables optimal heat management and ensures a longer life.

WARRANTY

- Limited Five (5) Year Warranty standard

For more information regarding the limited five (5) year warranty please contact the factory at (844) 202-5606 or email Customer Service at LEDCustService@dascom.com.



ORDERING GUIDE

SERIES	WATTAGE	BEAM ANGLE	CRI	CCT	FINISH	VOLTAGE
HB-3	100A 100W	M 60 DEGREE	8 ≥80	30 3000K	DB DARK BRONZE	U 100-277V
	150A 150W	W 90 DEGREE		40 4000K		H 347-480V
	250A 250W	WW 120 DEGREE		50 5000K		

DELTA High Bay

SPECIFICATIONS

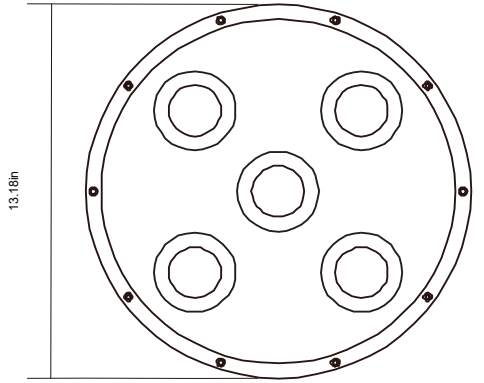
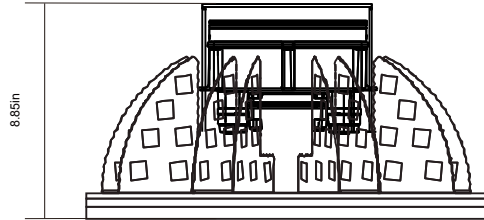
LED SPECIFICATION			3000K		4000K		5000K		WEIGHT (lbs.)	CERTIFICATION
MODEL	WATTS	OPTIC	LUMENS	EFFICACY	LUMENS	EFFICACY	LUMENS	EFFICACY		
HB-3100A	97	M	12,952	134 lm/W	13,227	136 lm/W	13,779	142 lm/W	11.01	DLC, UL, CE
		W	12,772	132 lm/W	13,043	134 lm/W	13,587	140 lm/W		
		WW	13,044	134 lm/W	13,321	137 lm/W	13,876	143 lm/W		
HB-3150A	149	M	18,977	127 lm/W	19,380	130 lm/W	20,188	135 lm/W	11.01	DLC, UL, CE
		W	19,219	129 lm/W	19,627	132 lm/W	20,446	137 lm/W		
		WW	19,175	129 lm/W	19,582	131 lm/W	20,399	137 lm/W		
HB-3250A	239	M	31,794	133 lm/W	32,469	136 lm/W	33,823	142 lm/W	21.38	DLC, UL, CE
		W	32,152	135 lm/W	32,835	137 lm/W	34,204	143 lm/W		
		WW	32,195	135 lm/W	32,879	138 lm/W	34,250	143 lm/W		

SPECIFICATION		VALUE
PERFORMANCE	Power Consumption (W)	97 / 149 / 239
	Lumens Delivered (lm)	12,772 - 34,250
	Efficacy (lm/W)	127 - 143
	CRI	≥80
	Color Temperature (K)	3000 / 4000 / 5000
	L70 Lumen Maintenance (hr)	50,000
ELECTRICAL	Power Factor	> 0.9
	Input Voltage	100-277V / 347-480V ~ 50/60 Hz
	Dimming	Non-dimmable
	THD	< 0.2
	Motion Sensor	No
OPTICS	Beam Angle (°)	60 / 90 / 120
	Lampshade	No
INSTALLATION	Standard Mount	Aluminum Yoke Mount
	Security	Carabiner and Cable included
CERTIFICATION	Certifications	DLC / UL / CE
	IP	65
	IK	09
	Environment	Indoor / Outdoor / Natatorium
	Ambient Operating Temperature	-25°C ~ +76°C / -13°F ~ +170°F
Warranty	Limited (5) Year	

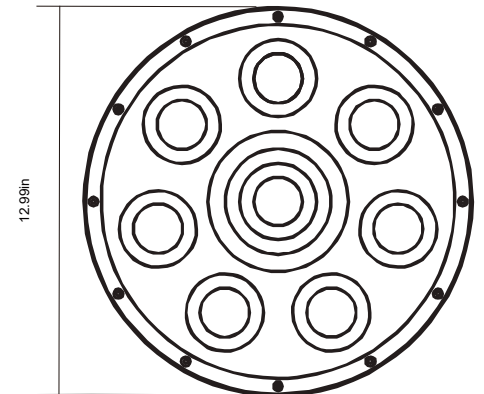
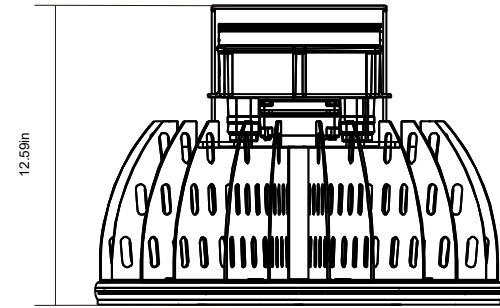
DELTA High Bay

DIMENSIONAL DRAWINGS

HB-3100A & HB-3150A

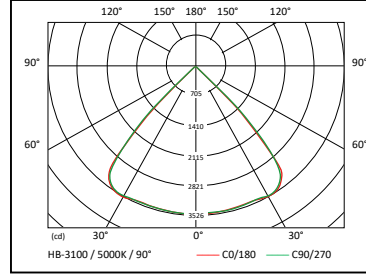


HB-3250A



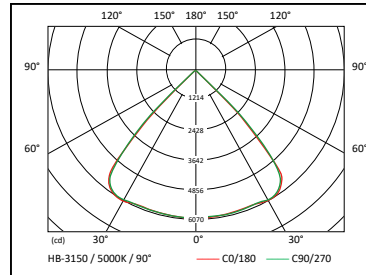
PHOTOMETRICS

HB-3100A



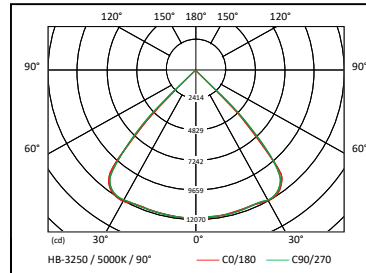
HB-3100 / 5000K / 90°		
H (m)	E (k)	D (cm)
1	4218	197
2	1076	394
3	480	591
4	271	788
5	173	985

HB-3150A



HB-3150 / 5000K / 90°		
H (m)	E (k)	D (cm)
1	9407	206
2	2352	412
3	1045	617
4	542	823
5	347	1029

HB-3250A



HB-3250 / 5000K / 90°		
H (m)	E (k)	D (cm)
2	3412	431
4	857	862
6	382	1293
8	215	1724
10	137	2155