

Shoebox Area Light



FEATURES

- Durable die-cast aluminum housing
- Black and Dark Bronze finishes
- Type III lighting distribution
- Slipfitter standard
- Direct Mount and Yoke Mount optional
- IP65 and IK08 rated
- 5 Year Warranty

APPLICATIONS

- Roadway
- Parking Lot
- Walkway
- Area Lighting
- Recreational

CONSTRUCTION

The body of the Shoebox Area Light is made of aluminum with an anti-corrosive coating to protect it in caustic environments, such as salt spray. The polycarbonate optical plate has a high-impact resistance, and the luminaire is sealed with resilient gasketing to prevent ingress.

WARRANTY

- Limited Five (5) Year Warranty standard

For more information regarding the limited five (5) year warranty please contact the factory at (844) 202-5606 or email Customer Service at LEDCustService@dascom.com.



ORDERING GUIDE

SERIES	WATTAGE	BEAM ANGLE	CRI	CCT	FINISH	VOLTAGE	OPTIONS	
ST-5	150 300 450	150W 300W 450W	WW TYPE III (150 x 85)	7 ≥70	40 4000K 50 5000K	BLK BLACK DB DARK BRONZE	U 100-277V	PC PHOTOCELL SF SLIPFITTER MOUNT DM DIRECT MOUNT YM YOKE MOUNT

Shoebox Area Light

SPECIFICATIONS

LED SPECIFICATION			4000K		5000K		EPA*	BUG	WEIGHT (lbs.)	CERTIFICATION
MODEL	WATTS	OPTIC	LUMENS	EFFICACY	LUMENS	EFFICACY				
ST-5150	148	T3	17,889	121 lm/W	18,635	126 lm/W	2.21 ft²	B3-U2-G3	13.09	DLC, UL
ST-5300	304	T3	37,117	122 lm/W	38,665	127 lm/W	2.95 ft²	B4-U3-G4	18.70	DLC, UL
ST-5450	450	T3	54,450	121 lm/W	56,700	126 lm/W	3.64 ft²	B4-U3-G4	24.31	DLC, UL

* EPA Ratings listed assume fixture is mounted horizontally. EPA rating will vary based on mounting angle.

SPECIFICATION		VALUE
PERFORMANCE	Power Consumption (W)	148 / 304 / 450
	Lumens Delivered (lm)	17,889 - 56,700
	Efficacy (lm/W)	121 - 127
	CRI	≥70
	Color Temperature (K)	4000 / 5000
	L70 Lumen Maintenance (hr)	50,000
ELECTRICAL	Power Factor	> 0.9
	Input Voltage	100-277V ~ 50/60 Hz
	Dimming	Non-dimmable
	THD	< 0.2
	Photocell Sensor	Optional
OPTICS	Beam Angle (°)	TYPE III (150 x 85)
	Glare Shield	No
INSTALLATION	Standard Mount	Adjustable Slipfitter Mount
	Optional Mount	Direct Mount / Yoke Mount
	Tilt	90°+ Vertically
CERTIFICATION	Certifications	DLC / UL
	IP	65
	IK	08
	Environment	Outdoor / Wet
	Ambient Operating Temperature	-40°C ~ +45°C / -40°F ~ +113°F
Warranty	Limited (5) Year	

Shoebox Area Light

MOUNTING OPTIONS and ACCESSORIES

SF - SLIPFITTER

All Shoe Box Area Luminaires come with a Slipfitter Mount standard.



PC - PHOTOCELL

Dusk to Dawn Photocell available for all Shoebox Area Lights. Simple plug-and-play feature allows fixture to automatically turn on/off without manual input.



DM - DIRECT MOUNT

Direct Mount is suitable for most pole wall mount applications.



YM - YOKE MOUNT

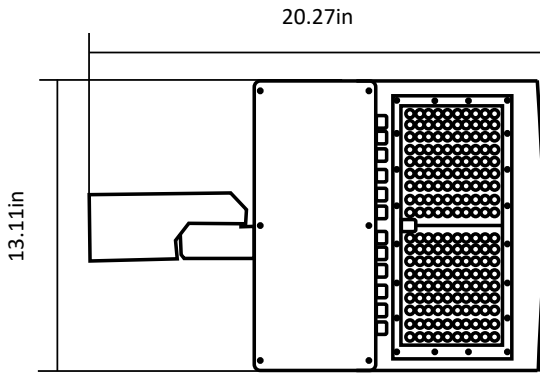
Optional adjustable Yoke Mount Bracket.



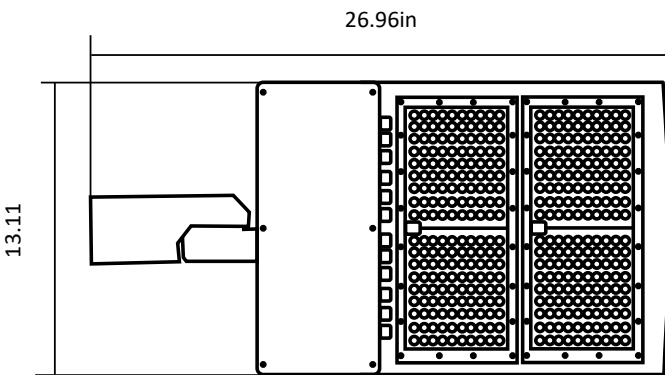
Shoebox Area Light

DIMENSIONAL DRAWINGS

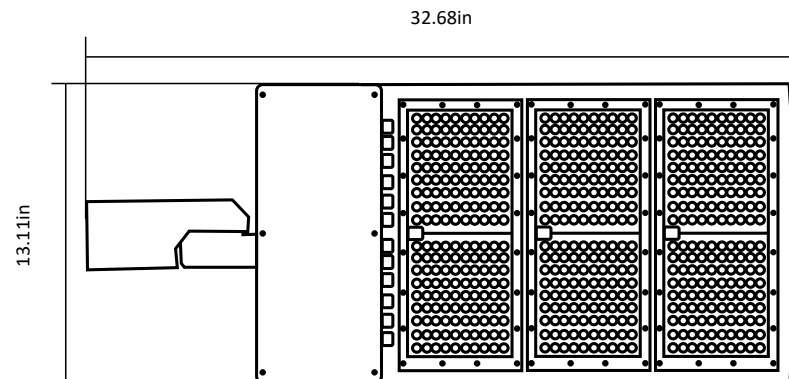
ST-5150



ST-5300



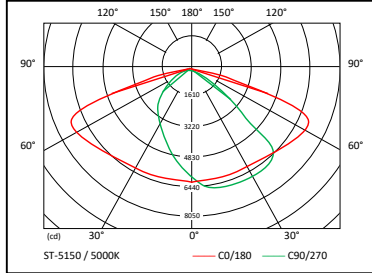
ST-5450



Shoebox Area Light

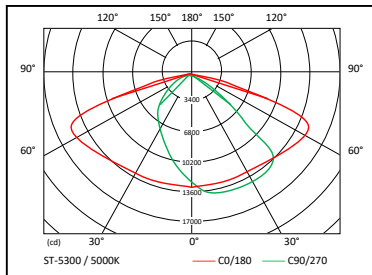
PHOTOMETRICS

ST-5150



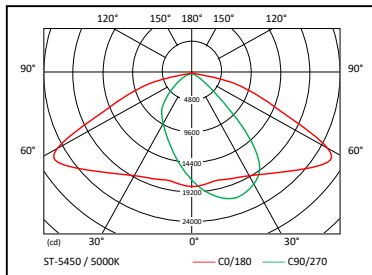
ST-5150 / 5000K / 150° x 85°		
1	4697	609
2	1055	975
3	432	1341
4	250	1706
5	159	2072
H (m)	E (lx)	D (cm)

ST-5300



ST-5300 / 5000K / 150° x 85°		
1	9625	609
2	2200	975
3	945	1341
4	523	1706
5	331	2072
H (m)	E (lx)	D (cm)

ST-5450



ST-5450 / 5000K / 150° x 85°		
1	14090	609
2	3165	975
3	1296	1341
4	750	1706
5	477	2072
H (m)	E (lx)	D (cm)