

Tunable ALL-IN-ONE PRO Solar Area Light



FEATURES

- All-in-One Design eliminates need for additional hardware
- Brushed Aluminum finish
- Wide lighting distribution
- CCT tunable with remote control, 3000K / 4000K / 5000K
- Intelligent solar charge control
- Charge Duration Eight (8) Hours
- Fifteen (15) Hour Output Duration
- IP65 rated
- 5 Year Warranty

APPLICATIONS

- Walkway
- Roadway
- Area Lighting
- Security

CONSTRUCTION

The All-in-One Pro Solar Area Light is made with an Aluminum Alloy housing with a Brushed Aluminum finish. Paired with a Lithium Iron Phosphate Battery, an integrated Solar Panel, and a slipfitter mount, this unit is installation ready out of the box.

WARRANTY

- Limited Three (3) and Five (5) Year Warranty standard

Three year warranty on the Battery

Five year warranty on the Lighting Unit

For more information regarding the limited warranty please contact the factory at (844) 202-5606 or email Customer Service at LEDCustService@dascom.com.

ORDERING GUIDE

SERIES	WATTAGE	BEAM ANGLE	CRI	CCT	FINISH	VOLTAGE	MOUNTING
SR-2	020P 20W	T1 ¹ TYPE I	7 ≥70	50 3000K / 4000K / 5000K	ALM ALUMINUM	L 12-24V DC	- SLIPFITTER
	030P 30W	T2 ¹ TYPE II					WM ² WALL MOUNT
	060P 60W	T3 TYPE III					
		T4 ¹ TYPE IV					

¹ Beam Angle T1, T2, and T4 require a minimum order quantity of 50 units.

² Wall Mount available for 20W model only.

Tunable ALL-IN-ONE PRO Solar Area Light

SPECIFICATIONS

LED SPECIFICATION			3000K		4000K		5000K		EPA*	BUG	WEIGHT (lbs.)
MODEL	WATTS	OPTIC	LUMENS	EFFICACY	LUMENS	EFFICACY	LUMENS	EFFICACY			
SR-2020P	20	T3	3,230	162 lm/W	3,366	168 lm/W	3,400	170 lm/W	4.22 ft²	B3-U1-G1	23.14
SR-2030P	30	T3	5,843	195 lm/W	6,089	203 lm/W	6,100	205 lm/W	5.35 ft²	B3-U1-G1	27.55
SR-2060P	60	T3	12,225	204 lm/W	12,771	213 lm/W	12,900	215 lm/W	9.26 ft²	B3-U1-G1	45.85

* EPA Ratings listed assume fixture is mounted horizontally. EPA rating will vary based on mounting angle.

BATTERY SPECIFICATION	SR-2020P	SR-2030P	SR-2060P
BATTERY TYPE	Lithium Iron Phosphate		
NOMINAL CAPACITY (AH)	18	30	54
BATTERY LIFE	Three (3) Years		
CYCLE LIFE	> 80% @ 25°C @ 2000		
NOMINAL VOLTAGE (V)	12.8	12.8	12.8
STANDARD DISCHARGE CURRENT (A)	3.6	6.0	10.8
DISCHARGE CUT-OFF VOLTAGE (V)	2.0	2.0	2.4
MAX CHARGE VOLTAGE (V)	3.9	3.9	3.9
OVERCHARGE DETECTION VOLTAGE (V)	3.9	3.9	3.9
OVERDISCHARGE DETECTION VOLTAGE (V)	2.0	2.0	2.4
OVERDISCHARGE DETECTION CURRENT (A)	20-40	20-40	36-50

PANEL SPECIFICATION	SR-2020P	SR-2030P	SR-2060P
SOLAR PANEL RATED POWER (W)	45	65	115
NUMBER of SOLAR PANELS	1	1	1
MAXIMUM POWER VOLTAGE (Vmp V)	18.0	18.0	18.0
MAXIMUM POWER CURRENT (Imp I)	2.5	3.61	6.76
SHORT-CIRCUIT CURRENT (Voc)	21.6	21.6	20.4
SHORT-CIRCUIT CURRENT (Isc)	2.7	3.89	7.31
SYSTEM VOLTAGE (V)	1000	1000	1000
TOLERANCE	+/- 3%	+/- 3%	+/- 3%
NUMBER OF SOLAR CELLS	34	34	22
DIMENSIONS (INCHES)	31.1 x 13.0 x 0.2 in	40.1 x 13.0 x 0.2 in	71.2 x 13.0 x 0.2 in

SPECIFICATION	VALUE	
PERFORMANCE	Power Consumption (W)	20 / 30 / 60
	Lumens Delivered (lm)	3,230 - 12,900
	Efficacy (lm/W)	162 - 215
	CRI	≥70
	Color Temperature (K)	3000 / 4000 / 5000
	Full Charge Duration (hr)	8
	Lighting Output Duration (hr)	15
OPTICS	Input Voltage	12-24V
	Dimming	Non-dimmable
	Photocell Sensor	Yes, integrated in Solar Panel
	Motion Sensor	Yes, 40-50ft range
OPTICS	Beam Angle	TYPE I, II, III, and IV optional
	Glare Shield	No
INSTALLATION	Standard Mount	3" ID Slipfitter for Pole Mount
	Optional Mount	Wall Arm Mount for 20W model
	Tilt	95°+ Vertically
CERTIFICATIONS	IP	65
	Environment	Outdoor / Wet
	Charging Operating Temp.	-20°C ~ +45°C / -4°F ~ +113°F
	Discharging Operating Temp.	-20°C ~ +60°C / -4°F ~ +140°F
	Warranty	Battery: 3 year Lighting Unit: 5 year

OPTIONS

WM - WALL MOUNT

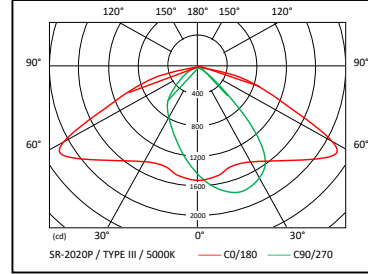
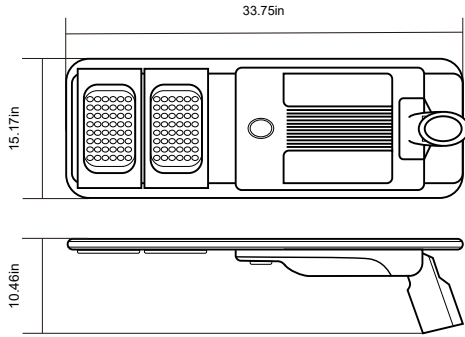
Wall Mount to install All in One Pro unit to any wall.



Tunable ALL-IN-ONE PRO Solar Area Light

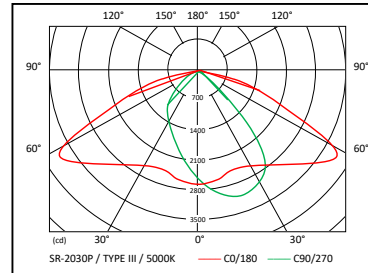
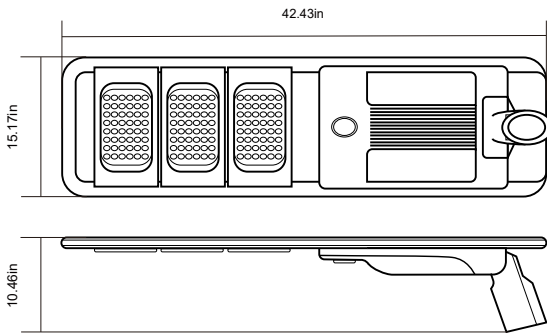
DIMENSIONAL DRAWINGS and PHOTOMETRICS

SR-2020P



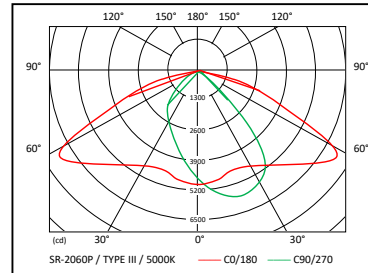
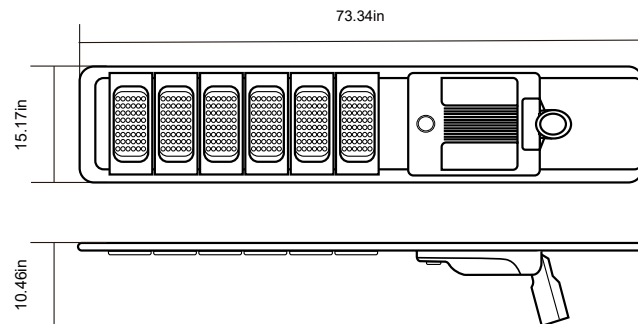
H (m)	E (lx)	D (cm)
1	1190	120
2	297	240
3	132	360
4	74	479
5	47	599

SR-2030P



H (m)	E (lx)	D (cm)
1	1721	119
2	430	238
3	191	358
4	108	477
5	69	596

SR-2060P



H (m)	E (lx)	D (cm)
1	3567	198
2	892	395
3	396	593
4	223	791
5	143	988

Tunable ALL-IN-ONE PRO Solar Area Light

CONTROLLER



1. Magnet Power Switch

Before mounting this unit onto a pole, remove the magnetic button from the sensor.



2. Battery Power Indicators

The (4) blue LEDs in the upper row represent battery level.

- 1 indicator = < 25%
- 2 indicators = 26% - 50%
- 3 indicators = 51% - 75%
- 4 indicators = 76% - 100%



3. Status Indicators

SOLAR CONTROLLER STATUS INDICATORS		
Indicator Light	Status	Description
(1) YELLOW (Motion)	ON	Motion Detected
	OFF	No Motion Detected
(2) GREEN (LED)	ON	Light ON
	OFF	Light OFF
	FLICKER	LED Short Circuit
(3) BLUE (Battery)	ON	Battery Charged
	OFF	Battery Not Charged
	FLICKER	Battery Undervoltage
(4) RED (Panel)	ON	Battery Charged 100%
	OFF	Solar Panel Without Output
	FLICKER	Solar Panel Charging
(5) RED & GREEN & BLUE	CYCLE	Poor Cable Connection



Tunable ALL-IN-ONE PRO Solar Area Light

REMOTE CONTROL

The All-in-One Pro Solar Area Light is equipped with a 433 remote controller. Each controller can reach a distance of 75 feet no matter the obstacles in between. A single controller can also manage multiple solar units.

Four lighting modes are available for the All-in-One Pro Solar Area Light. The mode should be selected according to the season for optimal charge and output.



User Manual for Remote Controller

DEMO: No matter the time of day, the light will turn ON for 1 minute.

OFF: No matter the time of day, the light will turn OFF.

L: At night, the light will turn on for (15) hours at 100% output.

T: At night, the light will turn on for (4) hours at 100% + (11) hours at 25%.

M: At night, (15) hours using motion sensor control.

U: At night, (4) hours at 100% + (11) hours using motion sensor control.

A: Cycle through CCT options 3000K – 4000K – 5000K

B: Jump to 4000K CCT

