

Adjustable Non-cutoff Wall Pack

FEATURES

- Durable die-cast aluminum housing
- Dark Bronze finish
- Wide lighting distribution
- Adjustable Wattage and Color Temperature
- Photocell standard
- IP65 rated
- 5 Year Warranty

APPLICATIONS

- Security
- Perimeter Lighting
- Facade
- Entry / Exit
- Recreational

CONSTRUCTION

Die-cast Aluminum Housing and Glass lens suitable for all environments. The unit is sealed with resilient gasketing to prevent ingress. The wall pack mounts directly to a standard junction box for easy retrofit of traditional fixtures.

WARRANTY

- Limited Five (5) Year Warranty standard

For more information regarding the limited five (5) year warranty please contact the factory at (844) 202-5606 or email Customer Service at LEDCustService@dascom.com.



ORDERING GUIDE

SERIES	WATTAGE	BEAM ANGLE	CRI	CCT	FINISH	VOLTAGE
WP-5	120 60W / 80W / 100W / 120W	WW 120 DEGREE	7 ≥72	50 3500K / 4000K / 5000K	DB DARK BRONZE	U 100-277V

Adjustable Non-cutoff Wall Pack

SPECIFICATIONS

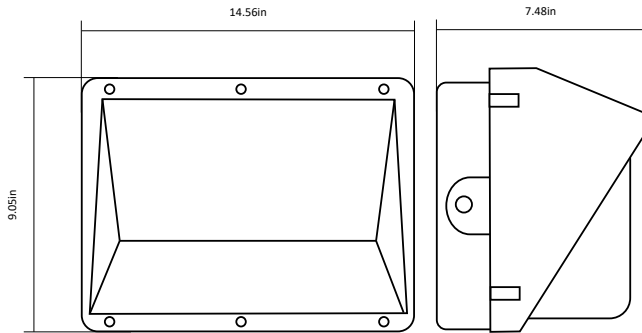
LED SPECIFICATION			3000K		4000K		5000K		WEIGHT (lbs.)	CERTIFICATION
MODEL	WATTS	OPTIC	LUMENS	EFFICACY	LUMENS	EFFICACY	LUMENS	EFFICACY		
WP-5120	60	WW	7,440	124 lm/W	7,560	126 lm/W	7,800	130 lm/W	7.49	DLC, ETL
	80	WW	9,920	124 lm/W	10,080	126 lm/W	10,400	130 lm/W		
	100	WW	12,400	124 lm/W	12,600	126 lm/W	13,000	130 lm/W		
	120	WW	14,880	124 lm/W	15,120	126 lm/W	15,600	130 lm/W		

SPECIFICATION		VALUE
PERFORMANCE	Power Consumption (W)	60 / 80 / 100 / 120
	Lumens Delivered (lm)	7,440 - 15,600
	Efficacy (lm/W)	126 - 130
	CRI	≥72
	Color Temperature (K)	3500 / 4000 / 5000
	L70 Lumen Maintenance (hr)	50,000
ELECTRICAL	Power Factor	> 0.9
	Input Voltage	100-277V ~ 50/60 Hz
	Dimming	Non-dimmable
	THD	< 0.2
	Photocell Sensor	Yes
OPTICS	Beam Angle (°)	120
	Glare Shield	No
INSTALLATION	Standard Mount	Base plate direct mount to junction box
	Mount Style	3 Quick-Mount Clips
	W and CCT Switches	Internal to Unit
CERTIFICATION	Certifications	DLC / ETL
	IP	65
	Environment	Outdoor / Wet
	Ambient Operating Temperature	-36°C ~ +60°C / -33°F ~ +140°F
	Warranty	Limited (5) Year

Adjustable Non-cutoff Wall Pack

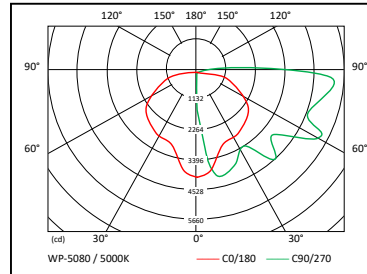
DIMENSIONAL DRAWINGS

WP-5120



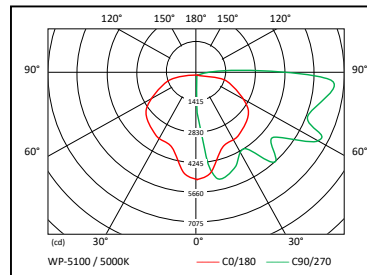
PHOTOMETRICS

WP-5120 / 80W / 5000K



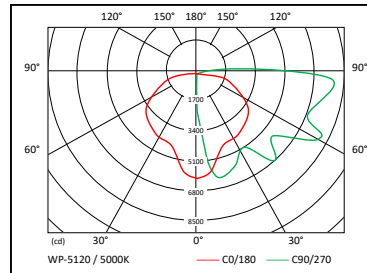
WP-5080 / 5000K		
H (m)	E (k)	D (cm)
1	1955	762
2	502	915
3	230	1067
4	135	1220
5	88	1372

WP-5120 / 100W / 5000K



WP-5100 / 5000K		
H (m)	E (k)	D (cm)
1	2231	762
2	587	915
3	265	1067
4	152	1220
5	100	1372

WP-5120 / 120W / 5000K



WP-5120 / 5000K		
H (m)	E (k)	D (cm)
1	2961	762
2	782	915
3	357	1067
4	197	1220
5	127	1372