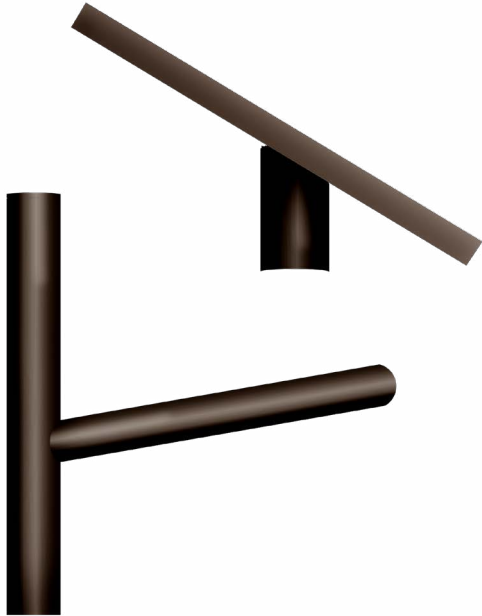


SOLAR PANEL Mounting Options

TOP OF POLE MOUNTING BRACKET - (TPM)



FEATURES

- Two-piece mounting bracket for Top of Pole installations
- Dark Bronze or Black finish
- Compatible for Delta Street and Neo Flood Light products
- Mounts a single Solar Panel
- 45° degree mounting angle
- Panel Mounting Cradle is rotatable for optimal positioning
- Designed to withstand wind speeds of 90mph
- All hardware included
- T-Post Arm Mount Inner Diameter of 2-7/16"
- 1 Year Warranty

- Large Panel Mount Dimensions:
26.25" x 26.25" x 7.25"

- Small Panel Mount Dimensions:
21.5" x 21.5" x 7.25"

- T-Post Arm Dimensions:
24.5" x 24.0" x 3.0"

SOLAR PANEL MOUNTING CRADLE - (SPM)



FEATURES

- One-piece mounting bracket for Remote Mount installations
- Dark Bronze or Black finish
- Compatible for Obi Light Bar and Neo Flood Light products
- Mounts a single Solar Panel
- 45° degree mounting angle
- Designed to withstand wind speeds of 90mph
- All hardware included
- Slipfitter Mount Inner Diameter of 2-7/8"
- 1 Year Warranty

- Large Panel Mount Dimensions:
26.25" x 26.25" x 7.25"

- Small Panel Mount Dimensions:
21.5" x 21.5" x 7.25"

SOLAR PANEL Mounting Options

SIDE OF POLE SINGLE MOUNTING BRACKET - (PSMS)



FEATURES

- Six-piece mounting bracket for various installations
- Aluminum material
- Compatible for all solar lighting products
- Mounts a single Solar Panel
- 0°- 90°degree mounting angle for optimal positioning
- Designed to withstand wind speeds of 90mph
- All hardware included
- Mounts up to 5" diameter poles
- 1 Year Warranty

- Panel Mounting Bracket Dimensions:
27.5" x 29.4" x 19.0"

SIDE OF POLE DOUBLE MOUNTING BRACKET - (PSMD)



FEATURES

- Six-piece mounting bracket for various installations
- Aluminum material
- Compatible for all solar lighting products
- Mounts up to (2) Solar Panels
- 0°- 90°degree mounting angle for optimal positioning
- Designed to withstand wind speeds of 90mph
- All hardware included
- Mounts up to 5" diameter poles
- 1 Year Warranty

- Panel Mounting Bracket Dimensions:
55.0" x 29.4" x 19.0"

SOLAR PANEL Mounting Options

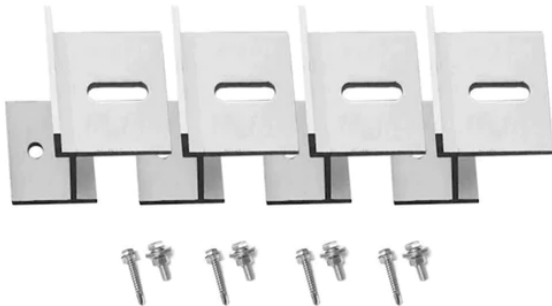
ADJUSTABLE MOUNTING BRACKET - (AMB)



FEATURES

- Six-piece adjustable mounting bracket for flat surface installations
 - Aluminum material
 - Compatible for all solar lighting products
 - Mounts a single Solar Panel
 - 20°- 90° degree mounting angle for optimal positioning
 - Designed to withstand wind speeds of 90mph
 - All hardware included
 - 1 Year Warranty
- Panel Mounting Bracket Dimensions:
27.0" x 27.0" x 14.5."

FLAT MOUNT PANEL BRACKET CLIPS - (PMZ)

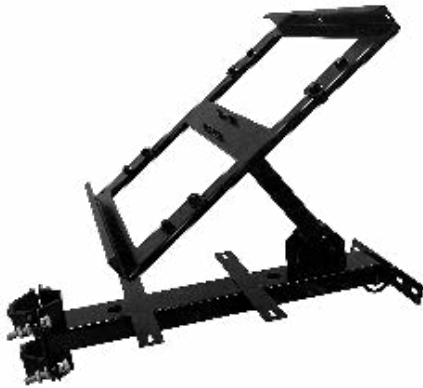


FEATURES

- Four mounting bracket clips for flat surface installations
 - Aluminum material
 - Compatible for Obi Light Bar and Neo Flood Light products
 - Mounts a single Solar Panel
 - Fixed flat mounting angle
 - Designed to withstand wind speeds of 90mph
 - All hardware included
 - 1 Year Warranty
- Mounting Clip Dimensions:
2.4" x 1.5" x 1.4"

SOLAR PANEL Mounting Options

WALL ARM PANEL BRACKET - (WAPM)



FEATURES

- Four-piece rotatable mounting bracket for wall mounting
- Aluminum material
- Compatible for Obi, Neo, and Explorer solar lighting products
- Mounts a single Solar Panel
- Adapter plate available for pole installations
- Designed to withstand wind speeds of 90mph
- All hardware included
- 1 Year Warranty