

SunBrite Solar Installation Guide

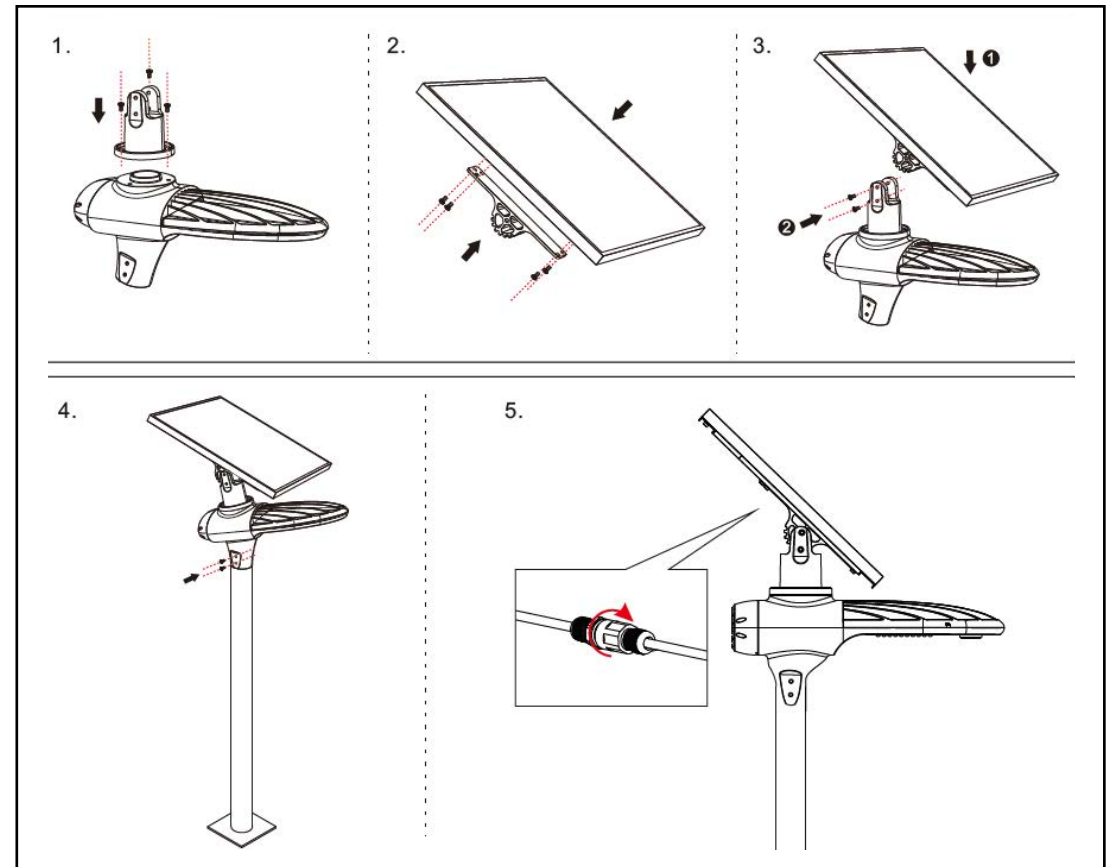
TECHNICAL PARAMETERS

PRODUCT PHOTO			
MODEL NUMBER	SR-3030	SR-3048	SR-3080
POWER CONSUMPTION	32.3W	48.4W	75.6W
LED DIODES	60	60	60
OPERATING VOLTAGE	12-24V DC standard, 100-277V AC ~ 50/60Hz		
HOUSING MATERIAL	Aluminum		
OPERATING TEMPERATURE	-25°C ~ +45°C / -13°F ~ +113°F		
IP RATING	65		
EPA RATING	5.24 ft²	8.39 ft²	12.02 ft²
BUG RATING	B2-U1-G1	B2-U1-G1	B3-U1-G2
WEIGHT	14.99	23.80	42.11

INSTALLATION CONSIDERATION

1. Do not install solar modules near power lines, trees, shaded areas, or any obstructive areas.
2. Regularly check for loose mounting connections to prevent any potential accidents. Re-tighten screws and bolts as needed.
3. When installing the solar panel, the face of the panel should be directed south at a 30 degree tilt for maximum charge potential.
4. Remove magnet on motion sensor housing for proper use.

INSTALLATION DIAGRAM



ATTENTION

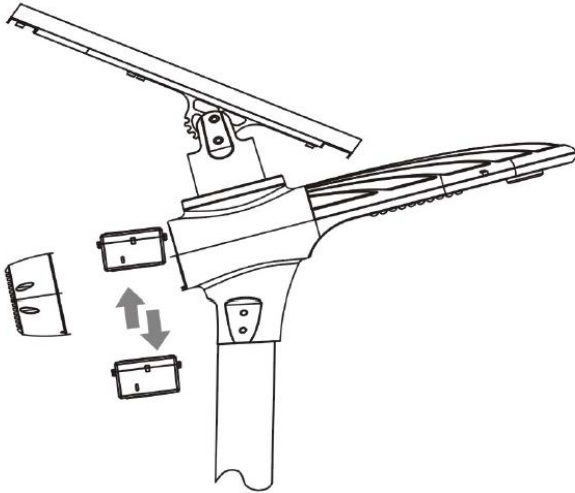
This manual instructs the important information of installation and operation. Be sure to strictly follow the instructions before use. To ensure correct installation and operation of the product, carefully read and understand all contents of this guide. Any mechanical or electrical modifications to the product will void warranty and may cause dangerous hazards. To avoid potential issues caused by high temperature, be sure no objects are on the lens while the product is switched on. For proper operation, a qualified electrician should perform the installation. Ensure the normal ambient temperature of the installation location is between -25°C ~ +45°C. Ensure the voltage of the luminaire is compatible with the onsite voltage before installation. Any luminaire with damaged power cord should not be installed.

GENERAL MAINTENANCE

The solar panel should not come in contact with any hard materials or damage may occur. The solar panel, lens, and housing can be cleaned using a soft cloth without any corrosive material. Regularly check the screws and mounting bracket and tighten or adjust if necessary.

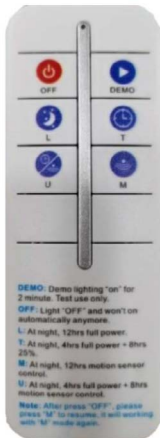
SunBrite Solar Installation Guide

BATTERY REPLACEMENT



The battery is located in an easy access receptacle on the back of the assembly. Remove the hardware and slide the old battery out. Make the connections to the battery and re-attached the plastic cap.

REMOTE CONTROLLER



Remote controller has six (6) settings to choose from. To program or re-program the SunBrite Solar Assembly, simply point the remote controller towards the sensor on the fixture and press the appropriate button.

- DEMO: Light turns on for one (1) minute then turns off for testing purposes.
- OFF: No matter the time of day or night, the light remains "OFF".
- L: 12 hours 100% illuminance
- T: 4 hours 100% illuminance, 8 hours 30% illuminance
- M: 2 hours 100% illuminance with motion detected
30% illuminance without motion detected
2 hours 80% illuminance with motion detected
25% illuminance without motion detected
8 hours 70% illuminance with motion detected
20% illuminance without motion detected
- U: 4 hours 100% illuminance
8 hours 70% illuminance with motion detected
20% illuminance without motion detected

LIGHT TROUBLESHOOTING

SITUATION	POSSIBLE REASON	POSSIBLE SOLUTION
LED DOES NOT LIGHT UP	Poor connection	Check wiring connections
	No power to the luminaire	Recycle power or check power connection
	Insufficient panel charge	Allow sufficient charge
LED FLICKER	Poor power connection	Check power connection
	Input voltage fluctuation	Confirm voltage

CONTROLLER TROUBLESHOOTING

SOLAR LIGHT CONTROLLER STATUS INDICATOR		
INDICATOR LIGHT	STATUS	DESCRIPTION
YELLOW (MOTION SENSOR)	On	Motion Detected
	Off	Without Motion Detected
	Flicker	LED short-circuit
GREEN (LED DIODES)	On	LED is ON
	Off	LED is OFF
	Flicker	LED short-circuit
BLUE (BATTERY)	On	Battery sufficiently charged
	Off	Battery charging
	Flicker	Battery undervoltage
RED (SOLAR PANEL)	On	Battery maximum charged
	Off	Solar panel without output
	Flicker	Solar panel is charging battery



STRUCTURE SPECIFICATION

1. Solar Panel
2. Adjustable Panel Bracket
3. Lithium Battery
4. Controller + Motion Sensor
5. LED Diodes
6. Lens
7. Battery Compartment

