



Solar Neo Flood Light Installation Guide

TECHNICAL PARAMETERS

| | | |
|-----------------------|---|---|
| PRODUCT PHOTO |  |  |
| MODEL NUMBER | SFL-5040 | SFL-5060 |
| POWER CONSUMPTION | 40W | 60W |
| OPERATING VOLTAGE | 12-24V DC | |
| HOUSING MATERIAL | Aluminum | |
| OPERATING TEMPERATURE | -25°C ~ +45°C / -13°F ~ +113°F | |
| IP RATING | 65 | |

ATTENTION

This manual instructs the important information of installation and operation. Be sure to strictly follow the instructions before use. To ensure correct installation and operation of the product, carefully read and understand all contents of this guide. Any mechanical or electrical modifications to the product will void warranty and may cause dangerous hazards. To avoid potential issues caused by high temperature, be sure no objects are on the lens while the product is switched on.

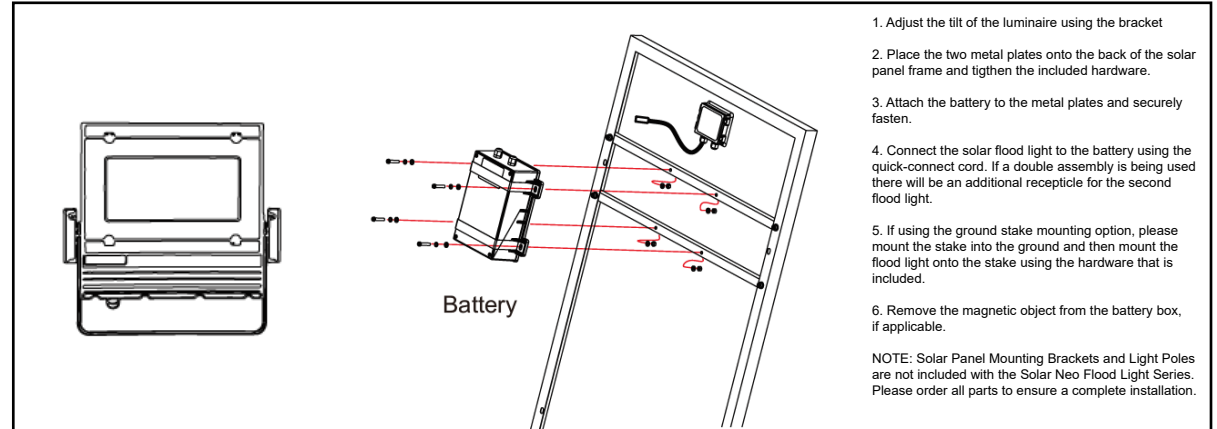
GENERAL MAINTENANCE

The lens, housing, and solar panel can be cleaned using a soft cloth without any corrosive material. Do not scratch the cells of the solar panel with any hard or solid material to avoid any possible damages. Regularly check the mounting brackets and connecting screws and adjust or reinforce if needed.

INSTALLATION PREPERATION

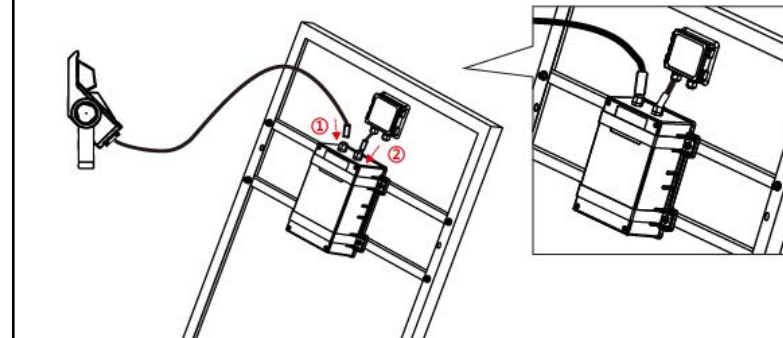
1. Take out the luminaire from the box and place it on a level platform for easy installation.
2. For proper operation, a qualified electrician should perform the installation.
3. Ensure the ambient temperature of the installation location is between -25°C ~ +45°C.
4. Any luminaire with a damaged power cord should not be installed.
5. The solar panel should face towards the south for optimal charge.
6. When the ambient temperature at the installation site is low ($\leq 0^{\circ}\text{C}$) the battery should be remove and placed indoors ($20^{\circ}\text{C}+$)

INSTALLATION DIAGRAM



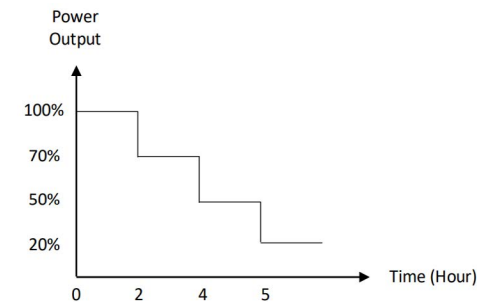
1. Adjust the tilt of the luminaire using the bracket
2. Place the two metal plates onto the back of the solar panel frame and tighten the included hardware.
3. Attach the battery to the metal plates and securely fasten.
4. Connect the solar flood light to the battery using the quick-connect cord. If a double assembly is being used there will be an additional recepticle for the second flood light.
5. If using the ground stake mounting option, please mount the stake into the ground and then mount the flood light onto the stake using the hardware that is included.
6. Remove the magnetic object from the battery box, if applicable.

NOTE: Solar Panel Mounting Brackets and Light Poles are not included with the Solar Neo Flood Light Series. Please order all parts to ensure a complete installation.



DISCHARGE DIAGRAM

The luminance of the Delta Solar Street Light is on a set down dimming function. When the sensor in the solar panel senses dusk, the luminaire switches on at 100% output. After two hours the output drops to 70%. After another two hours the output drops down to 50%. After just one more hour, the output stays at 20% until dawn. This setting allows extended light output while requiring a lower charge duration. Please contact the factory for jobs where this settings needs modification.



GROUND STAKE

