


PermaStar Flood Light Installation Guide

TECHNICAL PARAMETERS

PRODUCT PHOTO			
MODEL NUMBER	FL-6500D	IP RATING	66
POWER CONSUMPTION	486W	EPA RATING	2.32 ft ²
OPERATING VOLTAGE	100-277V AC ~ 50/60Hz	BUG RATING	B5-U0-G2
HOUSING MATERIAL	Aluminum	WEIGHT (lbs)	24.47 / 6.17
OPERATING TEMPERATURE	-40°C ~ +40°C	DIMENSIONS (in.)	21.73 x 15.90 x 12.79

ATTENTION

This manual instructs the important information of installation and operation. Be sure to strictly follow the instructions before use. To ensure correct installation and operation of the product, carefully read and understand all contents of this guide. Any mechanical or electrical modifications to the product will void warranty and may cause dangerous hazards. To avoid potential issues caused by high temperature, be sure no objects are on the lens while the product is switched on.

GENERAL MAINTENANCE

Make sure there is no power running to the luminaire when performing maintenance. The lens and the housing can be cleaned using a soft cloth without any corrosive material.

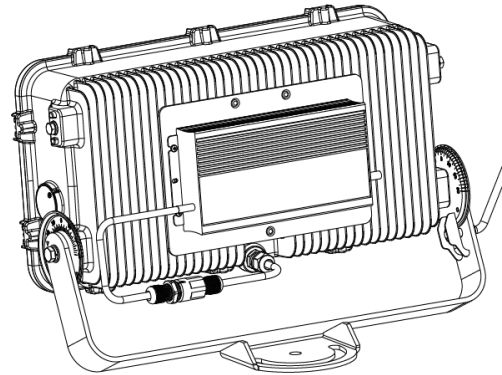
INSTALLATION PREPERATION

1. Take out the luminaire from the box and place it on a level platform for easy installation.
2. For proper operation, a qualified electrician should perform the installation.
3. Ensure the normal ambient temperature of the installation location is between -40°C ~ +40°C.
4. Ensure the voltage of the luminaire is capatable with the onsite voltage before installation.
5. Any luminaire with damaged power cord should not be installed.

Note: The power must be cut off before installation.

INSTALLATION DIAGRAM

1. Securely tighten the bracket on the installation platform with the provided screws.



The bracket of the floodlight has installation holes (Φ18) as shown in Fig. 1. Securely install it with applicable bolts (M14 or M16) with a length of 25mm or longer. Use spring washers or plain washers.

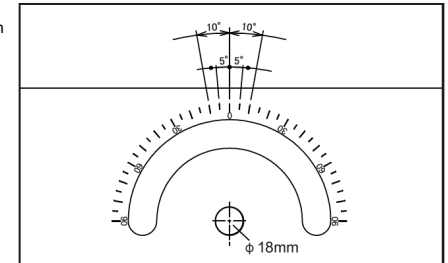


Fig.1

2. Rotate the handle to adjust the body of the luminaire to change the direction of the luminance.

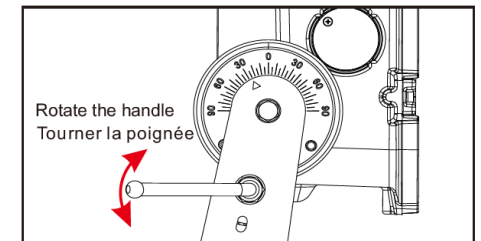
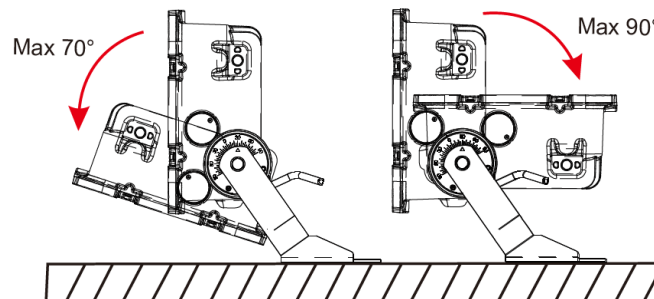


Fig.2