

# Non Cutoff Wall Pack Light Installation Guide

## TECHNICAL PARAMETERS

|                              |   |   |  |   |   |   |
|------------------------------|---|---|--|---|---|---|
| <b>PRODUCT PHOTO</b>         |  |  |  |  |  |  |
| <b>MODEL NUMBER</b>          | WP-5040   | WP-5060   | WP-5080  | WP-5100   | WP-5120   | WP-5150   |
| <b>POWER CONSUMPTION</b>     | 40W   | 60W   | 80W  | 100W  | 120W  | 150W  |
| <b>OPERATING VOLTAGE</b>     | 100-277V AC ~ 50/60Hz   |   |  |   |   |   |
| <b>HOUSING MATERIAL</b>      | Aluminum  |   |  |   |   |   |
| <b>OPERATING TEMPERATURE</b> | -20°C ~ +50°C / -4°F ~ +122°F   |   |  |   |   |   |
| <b>IP RATING</b>             | 65  |   |  |   |   |   |
| <b>DIMENSIONS</b>            | 14.56 x 9.05 x 7.48   |   |  |   | 18.30 x 9.29 x 8.97   |   |

## ATTENTION

This manual instructs the important information of installation and operation. Be sure to strictly follow the instructions before use. To ensure correct installation and operation of the product, carefully read and understand all contents of this guide. Any mechanical or electrical modifications to the product will void warranty and may cause dangerous hazards. To avoid potential issues caused by high temperature, be sure no objects are on the lens while the product is switched on.

## INSTALLATION PREPERATION

1. Take out the luminaire from the box and place it on a level platform for easy installation.
2. For proper operation, a qualified electrician should perform the installation.
3. Ensure the normal ambient temperature of the installation location is between -20°C ~ +50°C.
4. Ensure the voltage of the luminaire is capatable with the onsite voltage before installation.
5. Any luminaire with damaged power cord should not be installed.

*Note: The power must be cut off before installation.*

## TROUBLESHOOTING

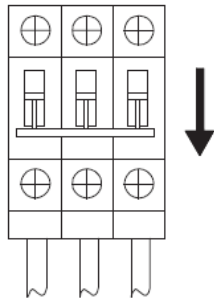
| SITUATION                    | POSSIBLE REASON           | POSSIBLE SOLUTION                       |
|------------------------------|---------------------------|---|
| <b>LED DOES NOT LIGHT UP</b> | Incorrect input wiring    | Confirm wire colors                     |
|                              | No power to the luminaire | Recycle power or check power connection |
|                              | Incorrect voltage         | Confirm voltage                         |
| <b>LED FLICKER</b>           | Poor power connection     | Check power connection                  |
|                              | Input voltage fluctation  | Confirm voltage                         |

## GENERAL MAINTENANCE

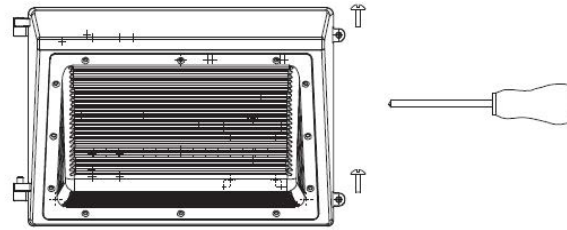
Make sure there is no power running to the luminaire when performing maintenance. The lens and the housing can be cleaned using a soft cloth without any corrosive material.

# Non Cutoff Wall Pack Light Installation Guide

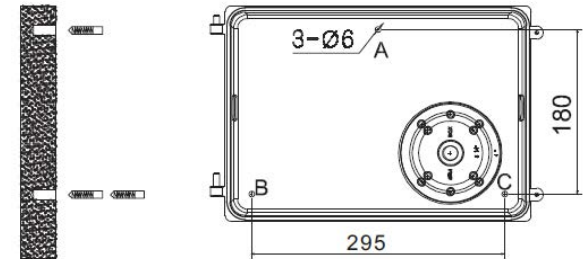
## INSTALLATION DIAGRAM



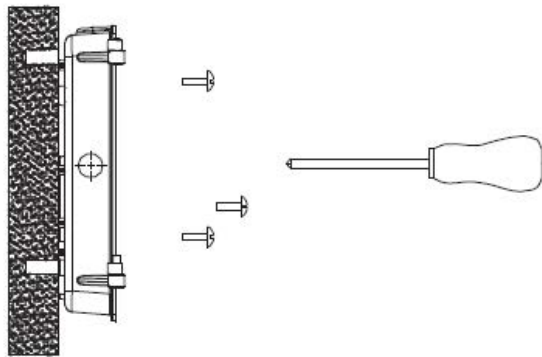
1. Be sure that the power is turned off before installation.



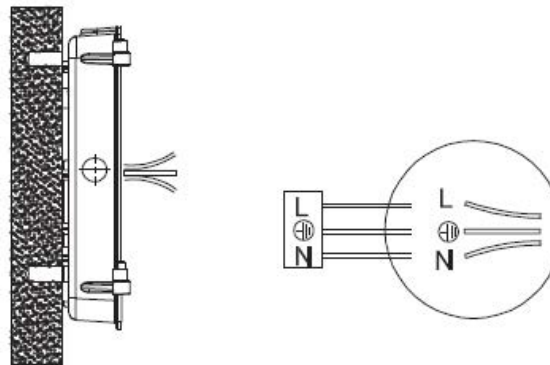
2. Remove the upper cover from the fixture by unscrewing the two screws on the side.



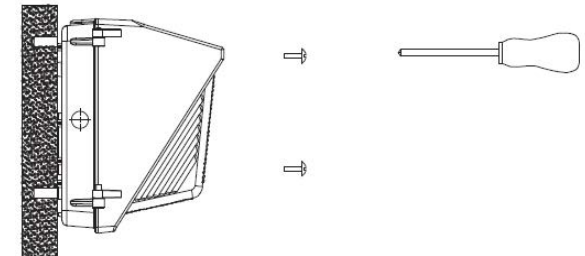
3. Drill two holes on the wall then drill the corresponding holes into the fixture's base plate using the dimensions above. Please note the unit of measurement is in mm.



4. Install the base plate onto the wall and fasten with the three screws provided.



5. Pull the wiring through the hole in the base plate and make the connection.



6. Connect the fixture housing back onto the base plate by re-attaching the two screws on the side.