

## Linear High Bay Installation Guide

### TECHNICAL PARAMETERS

PRODUCT PHOTO	
MODEL NUMBER	HB-5125
POWER CONSUMPTION	124W
OPERATING VOLTAGE	100-277V AC ~ 50/60Hz
HOUSING MATERIAL	Aluminum
OPERATING TEMPERATURE	-25°C ~ +45°C / -13°F ~ +113°F
IP RATING	65
WEIGHT	5.29
DIMENSIONS	47.24 x 2.00 x 2.83

### ATTENTION

This manual instructs the important information of installation and operation. Be sure to strictly follow the instructions before use. To ensure correct installation and operation of the product, carefully read and understand all contents of this guide. Any mechanical or electrical modifications to the product will void warranty and may cause dangerous hazards. To avoid potential issues caused by high temperature, be sure no objects are on the lens while the product is switched on.

### INSTALLATION PREPERATION

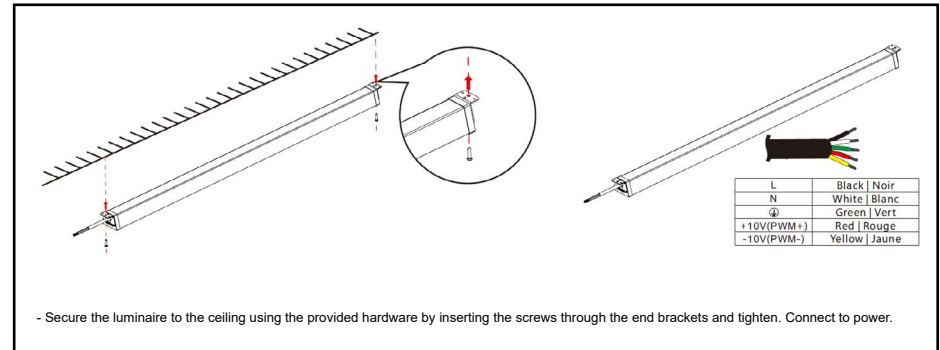
1. Take out the luminaire from the box and place it on a level platform for easy installation.
2. For proper operation, a qualified electrician should perform the installation.
3. Ensure the normal ambient temperature of the installation location is between -25°C ~ +45°C.
4. Ensure the voltage of the luminaire is capatable with the onsite voltage before installation.
5. Any luminaire with damaged power cord should not be installed.

*Note: The power must be cut off before installation.*

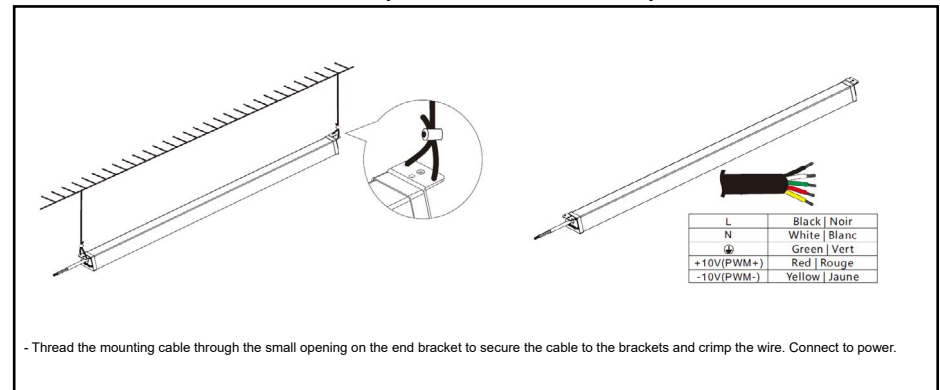
### GENERAL MAINTENANCE

Make sure there is no power running to the luminaire when performing maintenance. The lens and the housing can be cleaned using a soft cloth without any corrosive material.

### INSTALLATION DIAGRAM (SURFACE MOUNT)



### INSTALLATION DIAGRAM (PENDANT MOUNT)



### TROUBLESHOOTING

SITUATION	POSSIBLE REASON	POSSIBLE SOLUTION
LED DOES NOT LIGHT UP	Incorrect input wiring	Confirm wire colors
	No power to the luminaire	Recycle power or check power connection
	Incorrect voltage	Confirm voltage
LED FLICKER	Poor power connection	Check power connection
	Input voltage fluctation	Confirm voltage