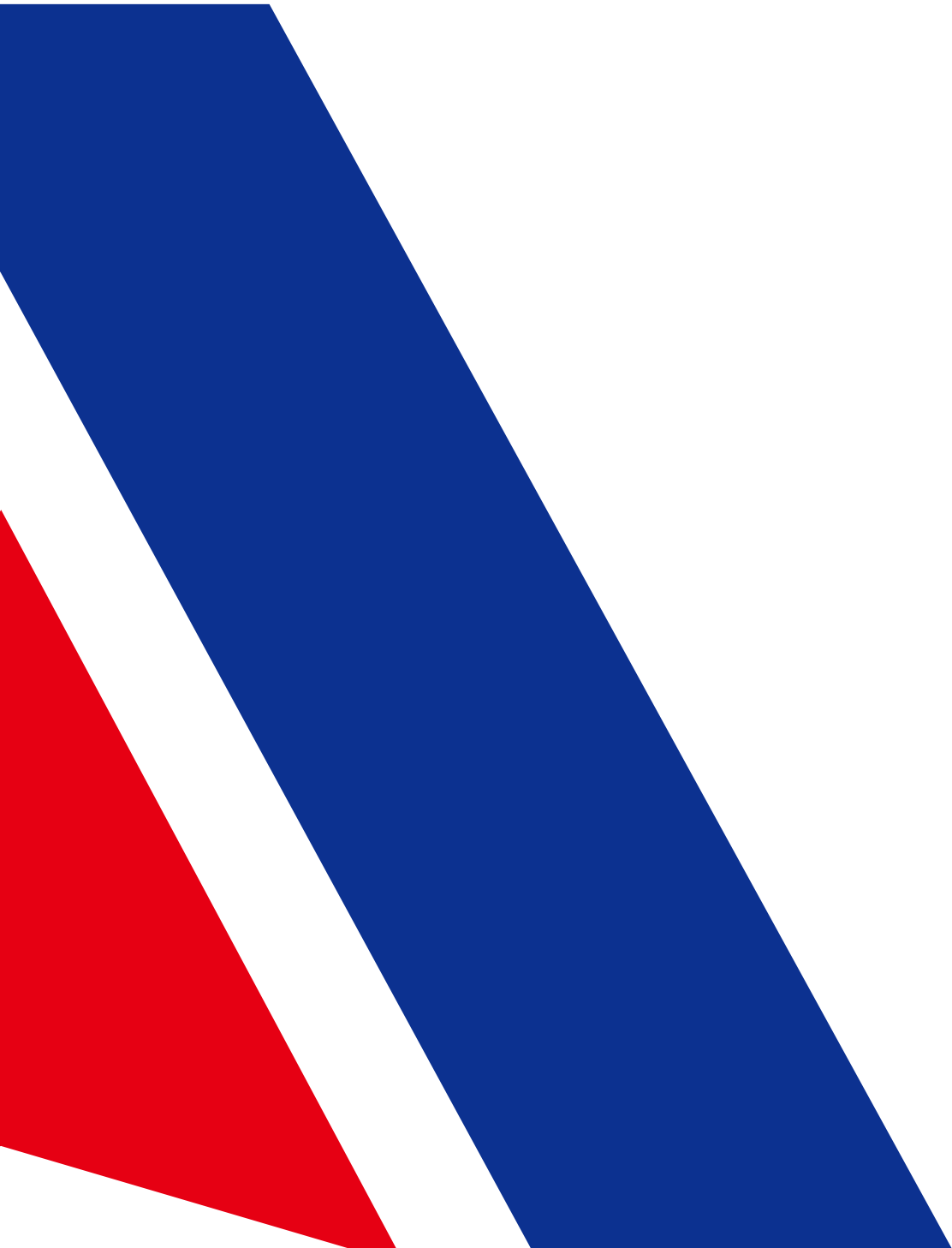


SONARAY®

Lighting everyone's dreams





MISSION

To create and contribute to a more intelligent and sustainable planet and a better human condition by offering innovative LED lighting solutions.











ORGANIZATION

SONARAY® is one of the most progressive LED lighting brands in a field that demands stringent quality and technical expertise. Our combination of experienced engineering, innovative thinking, and the best in raw materials allow us to produce exceptional quality industrial and commercial luminaires.



We are inspired not only to produce quality products but to improve the human condition – at work and in society. Our commitment to a cleaner and greener world is evident in our development and manufacturing facilities in both China and the United States. We collaborate as a global company, seeking to draw upon the best minds in LED technology and product development worldwide. Our goal is to produce lighting that is energy efficient and long lasting with the ultimate mission of leaving an indelible footprint on the world of tomorrow.

CONTENTS

			
04	05	06	06
LIGHT BARS	HIGH BAYS	LOW BAYS	FLOOD LIGHTS
			
9	10	12	14
LIGHT POLES	SOLAR LIGHTING	HAZARDOUS LOCATION	APPLICATION PHOTOS

LED LIGHT BAR



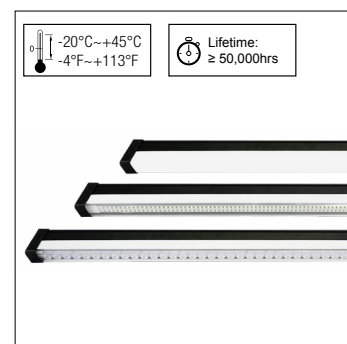
CCT: 3000K 4000K 5000K 6000K

MATRIX & MATRIX² LED LIGHT BAR



Model No.	Power (W)	Luminous Efficacy (lm/W)	Luminous Flux (lm)	Color Temperature (K)	CRI (Ra)	Beam Angle (°)	Input Voltage (V)	Length (mm/in)	Weight (kg/lb)
LB-1010A	9	113	1020	6000	≥80	93	100-277	600/23.62	1.2/2.65
LB-1018A	17	102	1728	6000	≥80	93	100-277	600/23.62	1.2/2.65
LB-1018B	17	112	1908	6000	≥80	93	100-277	1200/47.24	2/4.41
LB-1022B	21	106	2222	6000	≥80	93	100-277	1200/47.24	2/4.41
LB-1044B	41	108	4444	6000	≥80	93	100-277	1200/47.24	2/4.41
LB-1044B-W850LH	41	143	5852	5000	≥80	93	100-277	1200/47.24	2/4.41

*Note: DLC listing applies to LB-1044B-W850LH



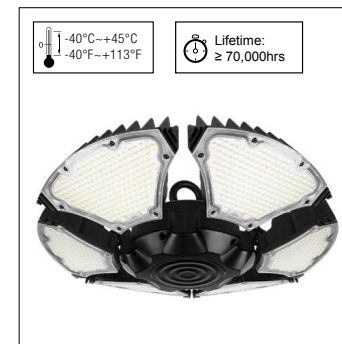
CCT: 3000K 4000K 5000K

OBI LED LIGHT BAR



Model No.	Power (W)	Diffuser	Luminous Efficacy (lm/W)	Luminous Flux (lm)	Color Temperature (K)	CRI (Ra)	Beam Angle (°)	Input Voltage (V)	Length (mm/in)	Weight (kg/lb)
LB-4030S-NC850	29	Clear	116	3362	5000	≥80	30	100-277	600/23.62	0.91/2
LB-4030S-MC850	29	Clear	113	3281	5000	≥80	60	100-277	600/23.62	0.91/2
LB-4030S-WWF850	28	Frosted	151	4227	5000	≥80	120	100-277	600/23.62	0.91/2
LB-4030S-WWC850	28	Clear	167	4664	5000	≥80	120	100-277	600/23.62	0.91/2
LB-4030M-NC850	29	Clear	116	3362	5000	≥80	30	100-277	1200/47.24	1.59/3.51
LB-4030M-MC850	29	Clear	113	3281	5000	≥80	60	100-277	1200/47.24	1.59/3.51
LB-4030M-WWF850	28	Frosted	151	4227	5000	≥80	120	100-277	1200/47.24	1.59/3.51
LB-4030M-WWC850	28	Clear	167	4664	5000	≥80	120	100-277	1200/47.24	1.59/3.51
LB-4060M-NC850	59	Clear	110	6515	5000	≥80	30	100-277	1200/47.24	1.59/3.51
LB-4060M-MC850	59	Clear	106	6225	5000	≥80	60	100-277	1200/47.24	1.59/3.51
LB-4060M-WWF850	57	Frosted	143	8160	5000	≥80	120	100-277	1200/47.24	1.59/3.51
LB-4060M-WWC850	57	Clear	161	9202	5000	≥80	120	100-277	1200/47.24	1.59/3.51
LB-4060L-NC850	59	Clear	110	6515	5000	≥80	30	100-277	1800/70.86	2.27/5.00
LB-4060L-MC850	59	Clear	106	6225	5000	≥80	60	100-277	1800/70.86	2.27/5.00
LB-4060L-WWF850	57	Frosted	143	8160	5000	≥80	120	100-277	1800/70.86	2.27/5.00
LB-4060L-WWC850	57	Clear	161	9202	5000	≥80	120	100-277	1800/70.86	2.27/5.00
LB-4060XL-NC850	59	Clear	110	6515	5000	≥80	30	100-277	2400/94.48	2.95/6.51
LB-4060XL-MC850	59	Clear	106	6225	5000	≥80	60	100-277	2400/94.48	2.95/6.51
LB-4060XL-WWF850	57	Frosted	143	8160	5000	≥80	120	100-277	2400/94.48	2.95/6.51
LB-4060XL-WWC850	57	Clear	161	9202	5000	≥80	120	100-277	2400/94.48	2.95/6.51

LED HIGH BAY

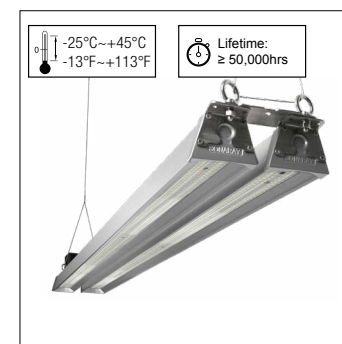


CCT: 3000K 4000K 5000K

LUMAWEDGE LED HIGH BAY



Model No.	Power (W)	Luminous Efficacy (lm/W)	Luminous Flux (lm)	Color Temperature (K)	CRI (Ra)	Beam Angle (°)	Input Voltage (V)	Fixture Height (mm/in)	Weight (kg/lb)
HB-6090	88	164	14,400	5000	≥80	80	100-277	159/6.3	2.37/5.2
HB-6135	133	163	21,735	5000	≥80	80	100-277	159/6.3	3/6.6
HB-6180	176	163	28,800	5000	≥80	80	100-277	159/6.3	3.35/7.4
HB-6260	254	164	41,340	5000	≥80	80	100-277	159/6.3	4.5/9.9



CCT: 3000K 4000K 5000K

LINEAR LED HIGH BAY



Model No.	Power (W)	Luminous Efficacy (lm/W)	Luminous Flux (lm)	Color Temperature (K)	CRI (Ra)	Beam Angle (°)	Input Voltage (V)	Length (mm/in)	Weight (kg/lb)
HB-5125-M1	124	138	17,125	5000	≥80	120	100-277	1200/48	2.4/5.28
HB-5125-M2	248	138	34,250	5000	≥80	120	100-277	1200/48	5.1/11.22
HB-5125-M3	372	138	51,375	5000	≥80	120	100-277	1200/48	7.5/16.54

*Note: M2 Double Unit pictured to the left.



CCT: 3000K 4000K 5000K

ICE BREAKER LED HIGH BAY



Model No.	Power (W)	Luminous Efficacy (lm/W)	Luminous Flux (lm)	Color Temperature (K)	CRI (Ra)	Beam Angle (°)	Input Voltage (V)	Fixture Height (mm/in)	Weight (kg/lb)
HB-2100LW	102	122	12,483	5000	≥80	100	100-277	389/15.3	4/8.82
HB-2150LW	151	114	17,175	5000	≥80	100	100-277	397/15.63	5.2/11.46
HB-220LW	202	117	23,542	5000	≥80	100	100-277	422/16.61	6.2/13.67
HB-2250LW	250	111	27,840	5000	≥80	100	100-277	456/17.95	8.4/18.52

*Note: HB-2100LW model is not DLC listed.

Accessories for High Bays

Accessories	Item No.	Compatible Models
Empire reflector	HB-2000A-V	HB-2000LW full series
Bell-shaped reflector	HB-2000A-W	HB-2000LW full series
Clear reflector	HB-2000L-A	HB-2000LW full series

Accessories	Item No.	Compatible Models
Diffuser With (1) cover ring	HB-2000A-G	HB-2000A-V
Metal Chain	HB-2000A-I	ø 4 mm, Made of iron, chromate finishing, customized length
Removable Link	HB-2000A-J	ø 5mm, Made of iron, chromate finishing
Motion Sensor	HB-2000A-MS	HB-2000LW full series LB-4000 full series



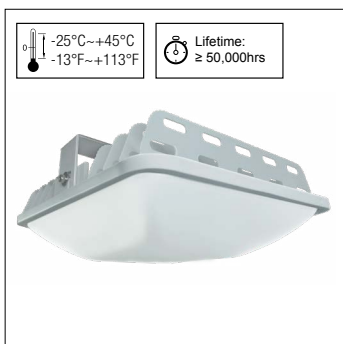
CCT: 3000K 4000K 5000K

DELTA LED HIGH BAY



Model No.	Power (W)	Luminous Efficacy (lm/W)	Luminous Flux (lm)	Color Temperature (K)	CRI (Ra)	Beam Angle (°)	Input Voltage (V)	Weight (kg/lb)
HB-3100A	97	142	13,779	5000	≥80	60	100-277	5/11.02
HB-3100A	97	140	13,587	5000	≥80	90	100-277	5/11.02
HB-3100A	97	143	13,876	5000	≥80	120	100-277	5/11.02
HB-3150A	149	135	20,188	5000	≥80	60	100-277	5/11.02
HB-3150A	149	137	20,446	5000	≥80	90	100-277	5/11.02
HB-3150A	149	137	20,399	5000	≥80	120	100-277	5/11.02
HB-3250A	239	142	33,823	5000	≥80	60	100-277	9.7/21.38
HB-3250A	239	143	34,204	5000	≥80	90	100-277	9.7/21.38
HB-3250A	239	143	34,250	5000	≥80	120	100-277	9.7/21.38

*Note: DLC listing applies to HB-3150A and HB-3250A.



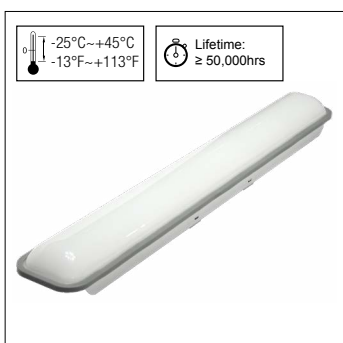
CCT: 3000K 4000K 5000K 6000K

DELTA LED LOW BAY



Model No.	Diffuser	Power (W)	Luminous Efficacy (lm/W)	Luminous Flux (lm)	Color Temperature (K)	CRI (Ra)	Beam Angle (°)	Input Voltage (V)	Weight (kg/lb)
LW-1040	Clear	39	138	5397	6000	≥80	120	100-277	3.2/7.05
LW-1060	Clear	60	135	8095	6000	≥80	120	100-277	3.2/7.05
LW-1080	Clear	77	140	10,800	6000	≥80	120	100-277	3.5/7.42
LW-1040	Frosted	39	118	4597	6000	≥80	120	100-277	3.2/7.05
LW-1060	Frosted	60	115	6896	6000	≥80	120	100-277	3.2/7.05
LW-1080	Frosted	77	119	9200	6000	≥80	120	100-277	3.5/7.42

*Note: DLC listing applies to LW-1060.



CCT: 3000K 4000K 5000K 6000K

DELTA LED LINEAR LOW BAY



Model No.	Diffuser	Power (W)	Luminous Efficacy (lm/W)	Luminous Flux (lm)	Color Temperature (K)	CRI (Ra)	Beam Angle (°)	Input Voltage (V)	Weight (kg/lb)
LW-1040	Clear	39	138	5397	6000	≥80	120	100-277	3.3/7.28
LW-1060	Clear	60	135	8095	6000	≥80	120	100-277	3.3/7.28
LW-1080	Clear	77	140	10,800	6000	≥80	120	100-277	3.3/7.28
LW-1040	Frosted	39	118	4597	6000	≥80	120	100-277	3.3/7.28
LW-1060	Frosted	60	115	6896	6000	≥80	120	100-277	3.3/7.28
LW-1080	Frosted	77	119	9200	6000	≥80	120	100-277	3.3/7.28

*Note: UL listing applies to LWL-1080.



CCT: 3000K 4000K 5000K

DELTA LED FLOOD LIGHT



Model No.	Power (W)	Luminous Efficacy (lm/W)	Luminous Flux (lm)	Color Temperature (K)	CRI (Ra)	Beam Angle (°)	Input Voltage (V)	Weight (kg/lb)
FL-3030	27	126	3398	5000	≥80	60	100-277	1.2/2.65
FL-3030	27	128	3460	5000	≥80	90	100-277	1.2/2.65
FL-3030	27	131	3537	5000	≥80	120	100-277	1.2/2.65



CCT: 3000K 4000K 5000K

DELTA LED FLOOD LIGHT



Model No.	Power (W)	Luminous Efficacy (lm/W)	Luminous Flux (lm)	Color Temperature (K)	CRI (Ra)	Beam Angle (°)	Input Voltage (V)	Weight (kg/lb)
FL-3060	59	147	8653	5000	≥80	60	100-277	2.48/5.47
FL-3060	59	143	8460	5000	≥80	90	100-277	2.48/5.47
FL-3060	59	146	8614	5000	≥80	120	100-277	2.48/5.47



CCT: 3000K 4000K 5000K

DELTA LED FLOOD LIGHT



Model No.	Power (W)	Luminous Efficacy (lm/W)	Luminous Flux (lm)	Color Temperature (K)	CRI (Ra)	Beam Angle (°)	Input Voltage (V)	Weight (kg/lb)
FL-3100A	101	138	13,905	5000	≥80	60	100-277	5.4/11.9
FL-3100A	101	145	14,645	5000	≥80	90	100-277	5.4/11.9
FL-3100A	101	140	14,112	5000	≥80	120	100-277	5.4/11.9
FL-3150A	139	137	19,021	5000	≥80	90	100-277	5.4/11.9
FL-3150A	139	145	20,155	5000	≥80	60	100-277	5.4/11.9
FL-3150A	139	143	19,811	5000	≥80	90	100-277	5.4/11.9



CCT: 3000K 4000K 5000K

DELTA LED FLOOD LIGHT



Model No.	Power (W)	Luminous Efficacy (lm/W)	Luminous Flux (lm)	Color Temperature (K)	CRI (Ra)	Beam Angle (°)	Input Voltage (V)	Weight (kg/lb)
FL-3250	235	145	34,143	5000	≥80	60	100-277	9/19.84
FL-3250	235	147	34,545	5000	≥80	90	100-277	9/18.84
FL-3250	235	151	34,583	5000	≥80	120	100-277	9/18.84

*Note: Also available with 347-480V.



CCT: 3000K 4000K 5000K

DELTA LED FLOOD LIGHT



Model No.	Power (W)	Luminous Efficacy (lm/W)	Luminous Flux (lm)	Color Temperature (K)	CRI (Ra)	Beam Angle (°)	Input Voltage (V)	Weight (kg/lb)
FL-3520	507	145	73,515	5000	≥80	70	100-277	23/50.71
FL-3520	507	145	73,727	5000	≥80	90	100-277	23/50.71
FL-3520	507	146	73,915	5000	≥80	120	100-277	23/50.71

*Note: Also available with 347-480V.

LED FLOOD LIGHT



CCT: 3000K 4000K 5000K

EPSILON LED AREA LIGHTING



Model No.	Power (W)	Luminous Efficacy (lm/W)	Luminous Flux (lm)	Color Temperature (K)	CRI (Ra)	Beam Angle (°)	Input Voltage (V)	Weight (kg/lb)
FL-3250N	253	120	30,280	5000	≥80	18	100-277	8.7/19.18
FL-3250N	253	119	30,021	5000	≥80	28	100-277	8.7/19.18
FL-3250N	253	120	30,370	5000	≥80	40	100-277	8.7/19.18

*Note: Also available with 347-480V.



CCT: 3000K 4000K 5000K

EPSILON LED AREA LIGHTING



Model No.	Power (W)	Luminous Efficacy (lm/W)	Luminous Flux (lm)	Color Temperature (K)	CRI (Ra)	Beam Angle (°)	Input Voltage (V)	Weight (kg/lb)
FL-3520N	517	110	56,676	5000	≥80	18	100-277	21.3/48.98
FL-3520N	517	108	55,902	5000	≥80	28	100-277	21.3/48.98
FL-3520N	517	103	53,098	5000	≥80	40	100-277	21.3/48.98

*Note: Also available with 347-480V.



CCT: 3000K 4000K 5000K

EPSILON LED AREA LIGHTING



Model No.	Power (W)	Luminous Efficacy (lm/W)	Luminous Flux (lm)	Color Temperature (K)	CRI (Ra)	Beam Angle (°)	Input Voltage (V)	Weight (kg/lb)
FL-41000N	951	130	123,192	5000	≥80	18	100-277	44.2/97.44
FL-41000N	951	126	120,176	5000	≥80	28	100-277	44.2/97.44
FL-41000N	951	125	119,342	5000	≥80	40	100-277	44.2/97.44

*Note: Also available with 347-480V.



CCT: 3000K 4000K 5000K

NAMI LED FLOOD LIGHT



Model No.	Power (W)	Luminous Efficacy (lm/W)	Luminous Flux (lm)	Color Temperature (K)	CRI (Ra)	Beam Angle (°)	Input Voltage (V)	Weight (kg/lb)
FL-5090	90	112	10,071	5000	≥70	12	100-277	5.5/12.13
FL-5090	90	94	8443	5000	≥70	63	100-277	5.5/12.13
FL-5090	90	99	8923	5000	≥70	100	100-277	5.5/12.13
FL-5130	130	104	13,555	5000	≥70	12	100-277	5.5/12.13
FL-5130	130	87	11,364	5000	≥70	63	100-277	5.5/12.13
FL-5130	130	103	13,375	5000	≥70	100	100-277	5.5/12.13

LED FLOOD LIGHT / LIGHT POLE



CCT: 5000K

FLARE LED FLOOD LIGHT

Model No.	Power (W)	Luminous Efficacy (lm/W)	Luminous Flux (lm)	Color Temperature (K)	CRI (Ra)	Beam Angle (°)	Input Voltage (V)	Weight (kg/lb)
FL-5000D	486	136	66,500	5000	≥80	22	100-277	15.8/34.84
FL-5000D	486	138	67,000	5000	≥80	45	100-277	15.8/34.84
FL-5000D	486	122	59,500	5000	≥80	70	100-277	15.8/34.84



STEEL ANCHOR BASE POLES

Model No.	Shape	Style	Mounting Height (ft)	Gauge	Top Diameter (in)	Bottom Diameter (in)
SON-SSS10	Square	Straight	10	11	4	4
SON-SSS20	Square	Straight	20	7	5	5
SON-SSS30	Square	Straight	30	7	5	5
SON-RSS10	Round	Straight	10	11	4.5	4.5
SON-RSS20	Round	Straight	20	7	5	5
SON-RSS30	Round	Straight	30	7	5	5
SON-RTS10	Round	Tapered	10	11	4.5	3.1
SON-RTS20	Round	Tapered	20	11	6.6	3.7
SON-RTS30	Round	Tapered	30	7	9	4.8



ALUMINUM ANCHOR BASE POLES

Model No.	Shape	Style	Mounting Height (ft)	Wall Thickness (in)	Top Diameter (in)	Bottom Diameter (in)
SON-SSA10	Square	Straight	10	0.125	4	4
SON-SSA20	Square	Straight	20	0.250	6	6
SON-SSA30	Square	Straight	30	0.250	6	6
SON-RSA10	Round	Straight	10	0.125	5	5
SON-RSA20	Round	Straight	20	0.188	8	8
SON-RSA30	Round	Straight	30	0.250	9	9
SON-RTA10	Round	Tapered	10	0.188	3	5
SON-RTA20	Round	Tapered	20	0.188	4.5	8
SON-RTA30	Round	Tapered	30	0.250	6	10



ALUMINUM DIRECT BURY POLES

Model No.	Shape	Style	Mounting Height (ft)	Wall Thickness (in)	Top Diameter (in)	Bottom Diameter (in)
SON-RSA10-E	Round	Straight	10	0.125	5	5
SON-RSA20-E	Round	Straight	20	0.188	8	8
SON-RSA30-E	Round	Straight	30	0.250	9	9
SON-RTA10-E	Round	Tapered	10	0.125	3	5
SON-RTA20-E	Round	Tapered	20	0.188	4.5	8
SON-RTA30-E	Round	Tapered	30	0.250	4.5	9



CCT: 5000K

SOLAR DELTA LED STREET LUMINAIRE

IP65 IK09

Model No.	Luminaire Power (W)	Solar Panel Power (W)	Luminous Efficacy (lm/W)	Luminous Flux (lm)	Color Temperature (K)	CRI (Ra)	Beam Angle (°)
SR-1048	48	90	78	3744	5000	≥80	145° × 65°
SR-1080	80	150	105	8400	5000	≥80	145° × 65°

*Note: Pole and Pole Accessories are not included.



CCT: 4000K 5000K

SOLAR NEO FLOOD LIGHT (with EXTERNAL SOLAR PANEL + BATTERY)

IP65 IK09

Model No.	Luminaire Power (W)	Solar Panel Power (W)	Luminous Efficacy (lm/W)	Luminous Flux (lm)	Color Temperature (K)	CRI (Ra)	Beam Angle (°)
SFL-5040	40	110	142	5680	5000	≥80	105
SFL-5060	60	175	141	8460	5000	≥80	105

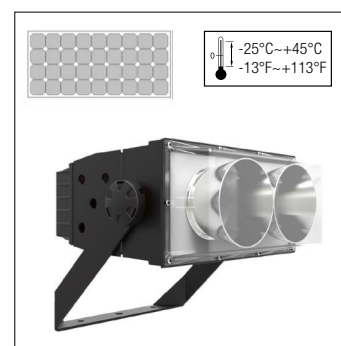


CCT: 5000K

ALL IN ONE PRO SOLAR LED LUMINAIRE (with INTEGRATED SOLAR PANEL)

IP66 IK08

Model No.	Luminaire Power (W)	Solar Panel Power (Wp)	Luminous Efficacy (lm/W)	Luminous Flux (lm)	Color Temperature (K)	CRI (Ra)	Beam Angle (°)
SR-2030P	30	65	215	6,450	5000	≥70	150° × 60°
SR-2060P	60	115	215	12,900	5000	≥70	150° × 60°



CCT: 5000K

SOLAR EXPLORER FLOOD LIGHT (with EXTERNAL SOLAR PANEL + BATTERY)

IP65

Model No.	Luminaire Power (W)	Solar Panel Power (Wp)	Luminous Efficacy (lm/W)	Luminous Flux (lm)	Color Temperature (K)	CRI (Ra)	Beam Angle (°)
SFL-5080	78	175	137	10,719	5000	≥70	17
SFL-5080	78	175	143	11,160	5000	≥70	34
SFL-5080	78	175	124	9704	5000	≥70	62
SFL-5080	78	175	157	12,237	5000	≥70	88

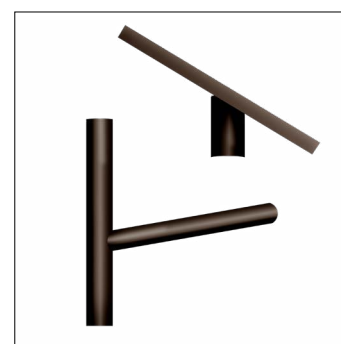


CCT: 3000K 4000K 5000K

SUNBRITE SOLAR LED LUMINAIRE

IP65 IK09

Model No.	Luminaire Power (W)	Solar Panel Power (Wp)	Luminous Efficacy (lm/W)	Luminous Flux (lm)	Color Temperature (K)	CRI (Ra)	Beam Angle (°)	Input Voltage (V)
SR-3048-L	48	100	144	6,960	5000	≥70	135° × 65°	12-24DC
SR-3048-HY	48	100	174	8,400	5000	≥70	135° × 65°	12-24DC / 100-277AC
SR-3080-L	75	160	153	11,600	5000	≥70	135° × 65°	12-24DC
SR-3080-HY	75	160	185	14,000	5000	≥70	135° × 65°	12-24DC / 100-277AC



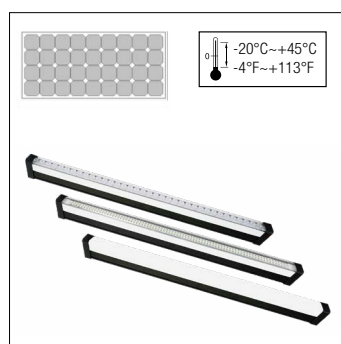
TOP OF POLE MOUNTING BRACKET



SOLAR PANEL MOUNTING BRACKET



ADJUSTABLE MOUNTING BRACKET



CCT: 4000K 5000K

SOLAR OBI LIGHT BAR (with EXTERNAL SOLAR PANEL + BATTERY)

IP69K IK09

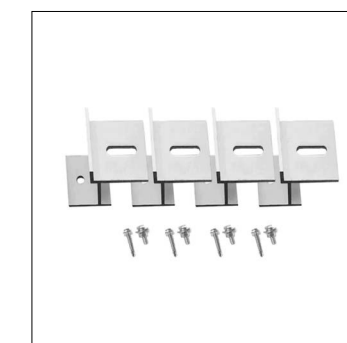
Model No.	Luminaire Power (W)	Solar Panel Power (Wp)	Luminous Efficacy (lm/W)	Luminous Flux (lm)	Color Temperature (K)	CRI (Ra)	Beam Angle (°)
SLB-4030S	29	110	116	3362	5000	≥80	30
SLB-4030S	28	110	151	4227	5000	≥80	120
SLB-4030M	29	110	116	3362	5000	≥80	30
SLB-4030M	28	110	151	4227	5000	≥80	120
SLB-4050M	51	175	115	5865	5000	≥80	30
SLB-4050M	49	175	142	6979	5000	≥80	120



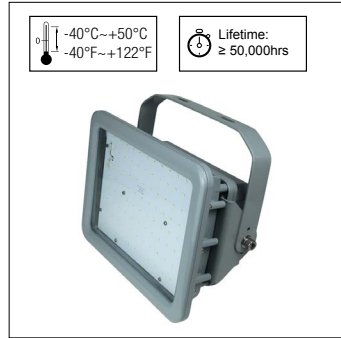
SIDE OF POLE SINGLE MOUNT (PSMS)



SIDE OF POLE DOUBLE MOUNT (PSMD)



FLAT MOUNT PANEL CLIPS (PMZ)



CCT: 4000K 5000K

HAZARDOUS LOCATION FLOOD LIGHT

cUL^{us} CE IP66 IK10

Model No.	Power (W)	Luminous Efficacy (lm/W)	Luminous Flux (lm)	Color Temperature (K)	CRI (Ra)	Beam Angle (°)	Input Voltage (V)	Weight (kg/lb)
EX-6060	60	140	8400	5000	≥73	120°	100-277	6.89/15.21
EX-6100	100	140	1400	5000	≥73	120°	100-277	17.89/39.46
EX-6150	150	140	21000	5000	≥73	120°	100-277	17.89/39.46
EX-6200	200	140	28000	5000	≥73	120°	100-277	17.89/39.46

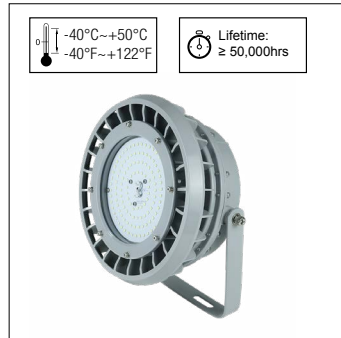


CCT: 4000K 5000K

HAZARDOUS LOCATION VAPOR TIGHT LIGHT

cUL^{us} CE IP66 IK10

Model No.	Power (W)	Luminous Efficacy (lm/W)	Luminous Flux (lm)	Color Temperature (K)	CRI (Ra)	Beam Angle (°)	Input Voltage (V)	Weight (kg/lb)
EX-1030S	30	140	4200	5000	≥73	120°	100-277	3.99/8.81
EX-1050M	50	140	7000	5000	≥73	120°	100-277	7.99/17.63

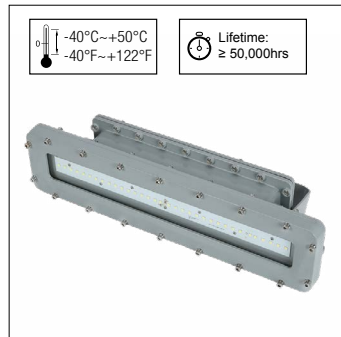


CCT: 4000K 5000K

HAZARDOUS LOCATION HIGH BAY

cUL^{us} CE IP66 IK10

Model No.	Power (W)	Luminous Efficacy (lm/W)	Luminous Flux (lm)	Color Temperature (K)	CRI (Ra)	Beam Angle (°)	Input Voltage (V)	Weight (kg/lb)
EX-3060	60	140	8400	5000	≥73	120°	100-277	3.49/7.71
EX-3100	100	140	1400	5000	≥73	120°	100-277	17.39/38.36
EX-3150	150	140	21000	5000	≥73	120°	100-277	17.39/38.36
EX-3200	200	140	28000	5000	≥73	120°	100-277	17.39/38.36



CCT: 4000K 5000K

HAZARDOUS LOCATION LIGHT BAR

cUL^{us} CE IP66 IK10

Model No.	Power (W)	Luminous Efficacy (lm/W)	Luminous Flux (lm)	Color Temperature (K)	CRI (Ra)	Beam Angle (°)	Input Voltage (V)	Weight (kg/lb)
EX-4040M	40	140	5600	5000	≥73	120°	100-277	18.49/40.78
EX-4060M	60	140	8400	5000	≥73	120°	100-277	18.49/40.78
EX-4080M	80	140	11200	5000	≥73	120°	100-277	18.49/40.78



CCT: 4000K 5000K

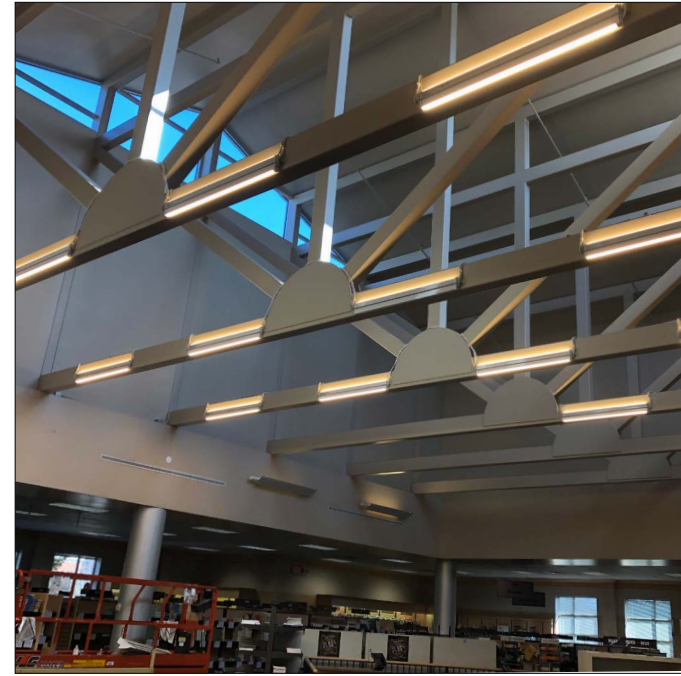
HAZARDOUS LOCATION JELLY JAR

cUL^{us} CE IP66 IK10

Model No.	Power (W)	Luminous Efficacy (lm/W)	Luminous Flux (lm)	Color Temperature (K)	CRI (Ra)	Beam Angle (°)	Input Voltage (V)	Weight (kg/lb)
EX-2030	30	135	4050	5000	≥73	120°	100-277	4.69/10.36
EX-2040	40	135	5400	5000	≥73	120°	100-277	4.69/10.36



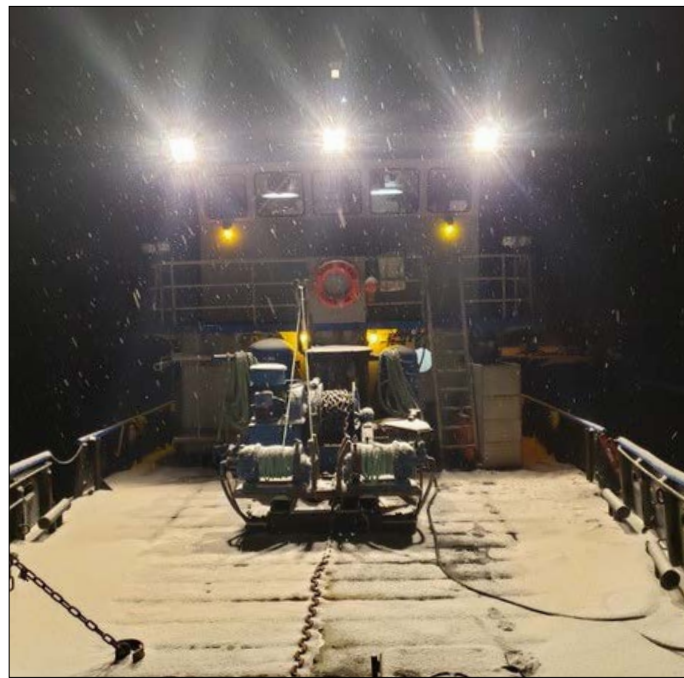
FLOOD LIGHTING – JOHN SEIGENTHALER PEDESTRIAN BRIDGE



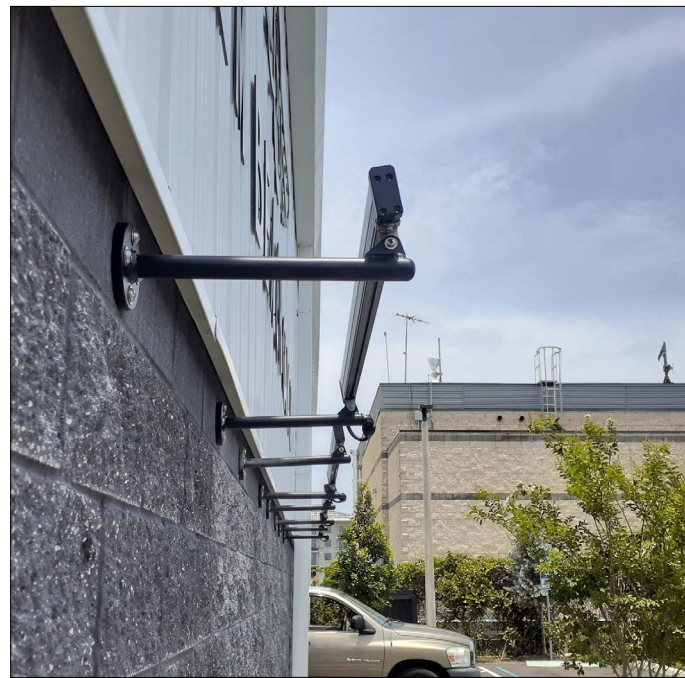
LIGHT BAR – INTERIOR LIGHTING



LIGHT BAR – WINERY STORAGE ROOM



FLOOD LIGHTING – ALASKAN FISHING VESSEL



LIGHT BAR – SIGN LIGHTING



SOLAR LIGHTING – PARKING LOTS



SOLAR LIGHTING – SIGN LIGHTING

ABOUT US

DASCOM, the parent company for the SONARAY brand is a technology provider focused on providing solutions for business customers and organizations across the globe. As a highly diversified business we are constantly seeking to innovate, grow, and provide answers for our customers in unique ways and in a variety of markets.

SONARAY designs, engineers, and manufactures its own line of propriety LED lighting products. Our structure is such that we are a right-sized brand with the significant assets to proactively develop products and respond to customer needs in an assertive fashion that allows us to quickly respond to needs that many other manufacturers will not address.

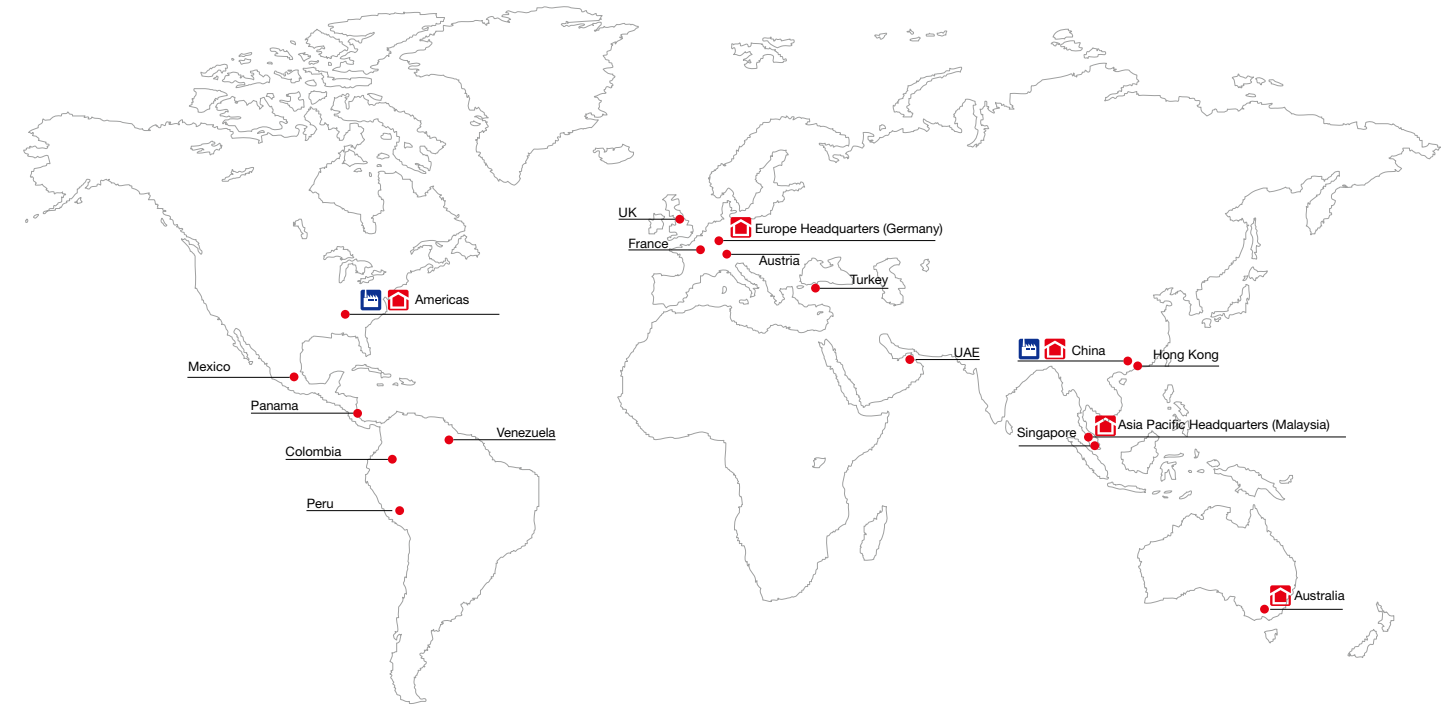
With significant investments in engineering, product development, equipment, and people, the SONARAY philosophy is to separate ourselves from others not only through quality and unique solutions, but also through our adaptability, programs, and flexible business philosophy. We intentionally seek to provide value for our manufacturer representatives, our distribution channel, those architects and entities who specify our products, and ultimately those who use them.

Our tagline is “Lighting Everyone’s Dreams” and our goal is to address the needs of all in our value chain and respond to those needs and dreams as we meet needs in organizations and seek to be a socially responsible brand who leaves the world a bit better by the way we conduct business and the technology solutions we provide.

The logo for DASCOM, featuring the word "DASCOM" in a bold, blue, sans-serif font. The letter 'A' is stylized with a red triangle pointing upwards from its center.

SONARAY LED

GLOBAL FACILITIES



Americas
34 Lakeview Ct.
Verona, VA 24482
USA
Tel: +1-877-434-1377
Fax: +1-877-334-0549

Europe
Heuweg 3,
89079 Ulm,
Germany
Tel: +49 -731-20750
Fax: +49 -731-2075100

China
No.399,Jinxing Road,
Jianghai District,
Jiangmen,
Guangdong, P.R. China
Tel: 400-810-9998 800-810-9998

Asia Pacific Headquarters (Malaysia)
Global Business & Convention Centre,
Block B, Level 2, Unit 2C
No.8, Jalan 19/1, Section 19,
46300 Petaling Jaya, Selangor,
Malaysia
Tel : +60-3-79571788
Fax: +60-3-79574788

Hong Kong
Unit 3, 26th Floor,
Honour Industrial Centre,
No. 6 Sun Yip Street, Chaiwan,
Hong Kong
Tel: +852-21109011
Fax: +852-21109012

Australia
Unit 7,21 Westside Drive
Laverton North,
VIC 3026,
Australia
Tel: +(03) 93151377



SONARAY®

© 2023 DASCOM Americas. All rights reserved.
All company and product names are trademarks or registered trademarks of their respective owner. Specifications are subject to change without notice.

www.sonarayled.com